

Service
Service
Service



Service Manual



TABLE OF CONTENTS

	Page
1 Technical Specifications and Connection Facilities	2
2 Measurements Setup, Service Aid & Service Hints	4
3 Directions For Use	8
4 Dismantling Instructions & Service Positions	10
5 Service Test Program	13
6 Block Diagram.....	17
Wiring Diagram	18
7 Circuit Diagram and PWB Layout	19
Front Board Circuit Diagram	19
Front Left Board Layout (Top View)	21
Front Left Board Layout (Bottom View).....	21
Front Right Board Layout (Top View).....	22
Front Right Board Layout (Bottom View)	22
SD6.3 Mono Board Circuit Diagram.....	23
SD6.3 Mono Board Layout (Top View).....	25
SD6.3 Mono Board Layout (Bottom View)	26
AV Board Circuit Diagram	27
AV Board Layout (Top View)	32
AV Board Layout (Bottom View).....	33
PSCAN HDMI Board Circuit Diagram	34
PSCAN HDMI Layout (Top View).....	38
PSCAN HDMI Layout (Bottom View)	39
8 Exploded View & Spare Parts List	41
Exploded View of the Set	41
Spare Parts List.....	42

©Copyright 2004 Philips Consumer Electronics B.V. Eindhoven, The Netherlands.
All rights reserved. No part of this publication may be reproduced, stored in a retrieval system or transmitted, in any form or by any means, electronic, mechanical, photocopying, or otherwise without the prior permission of Philips.



1. Specifications

1.1 GENERAL:

Mains voltage	: 110-240V
Mains frequency	: 50/60Hz
Power consumption	: 20W
	< 1W at Standby mode
Dimension centre unit	: 435 x 315 x 79mm

1.2 AUDIO PERFORMANCE: Normal Mode Stereo L/R

Output Voltage	: 2Vrms \pm 1dB
Channel Unbalance (1kHz)	: < 0.22dB
Crosstalk	: > 90dB (20Hz-20kHz)
Freq. Response (20Hz-20kHz)	: \pm 0.2dB (max)
Signal to Noise Ratio	: > 90dB (without auto mute)
	> 100dB (A-weighted)
Distortion and Noise	: > 91dB (1kHz)

1.3 AUDIO FORMAT:

MPEG/AC-3/PCM	: Compressed Digital 16, 20, 24 bits fs, 44.1, 48, 96 kHz
MP3 (ISO 9660)	: 96, 112, 128, 256 kbps & variable bit rate fs, 32, 44.1, 48 kHz

1.4 VIDEO FORMAT:

Digital Compression	: MPEG-2 for DVD, SVCD MPEG-1 for VCD DivX
---------------------	---

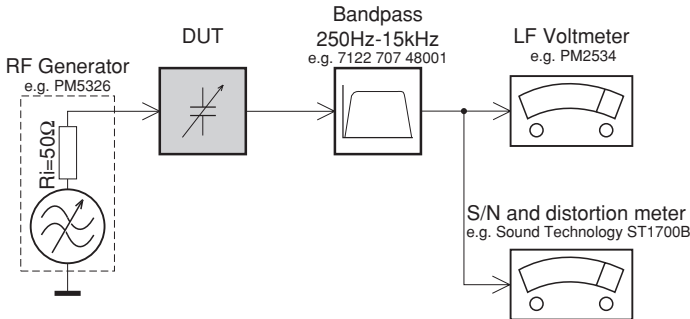
1.5 VIDEO PERFORMANCE:

CVBS	: 1.0V _{p-p} (Amplitude) 0.7V _{p-p} (White Level)
YPbPr	: 1.0V _{p-p} (Amplitude) 0.7V _{p-p} (White Level)
S-Video	: 1.0V _{p-p} (Amplitude) 0.7V _{p-p} (White Level)

2. Measurements Setup, Service Aid & Service Hints

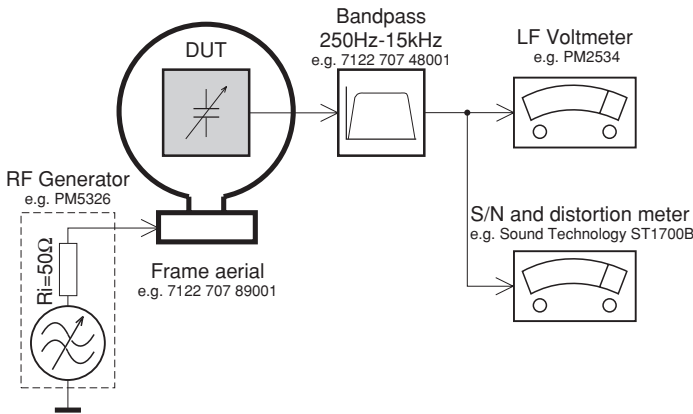
MEASUREMENT SETUP

Tuner FM



Use a bandpass filter to eliminate hum (50Hz, 100Hz) and disturbance from the pilotone (19kHz, 38kHz).

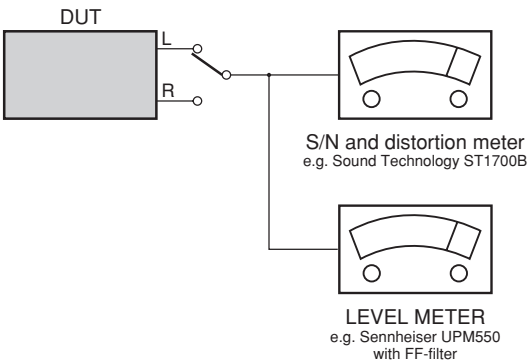
Tuner AM (MW,LW)



To avoid atmospheric interference all AM-measurements have to be carried out in a Faraday's cage. Use a bandpass filter (or at least a high pass filter with 250Hz) to eliminate hum (50Hz, 100Hz).

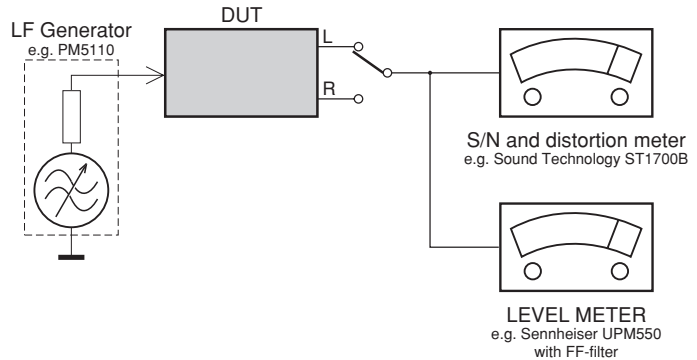
CD

Use Audio Signal Disc SBC429 4822 397 30184 (replaces test disc 3)



Recorder

Use Universal Test Cassette **CrO2** SBC419 4822 397 30069 or Universal Test Cassette **Fe** SBC420 4822 397 30071



SERVICE AIDS

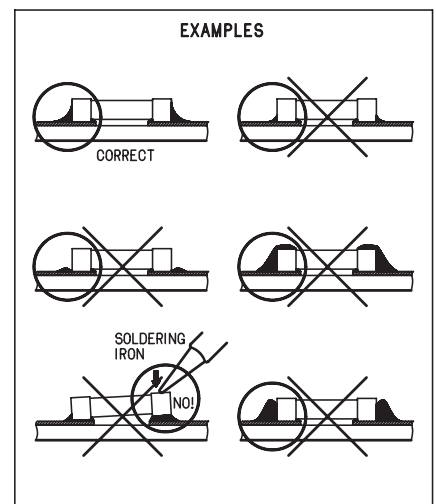
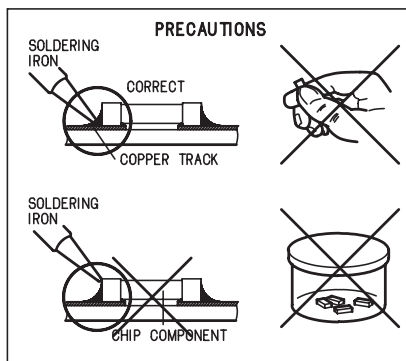
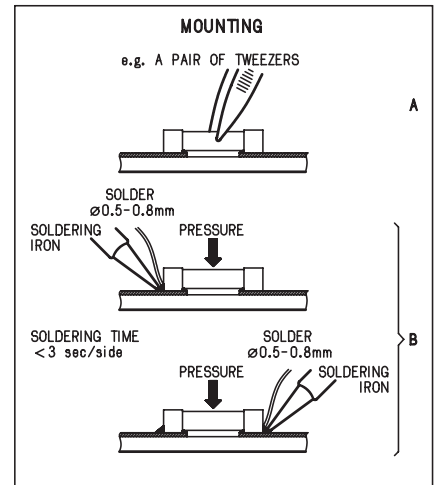
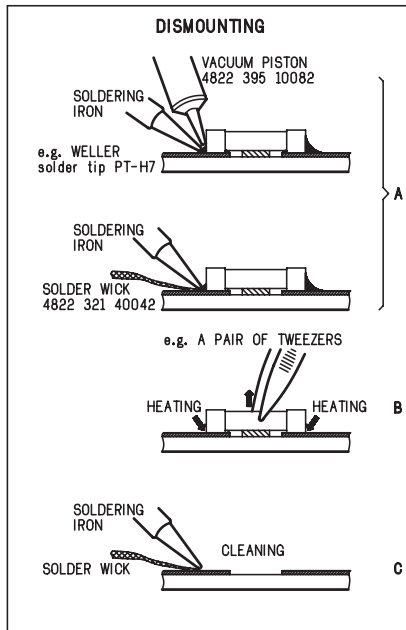
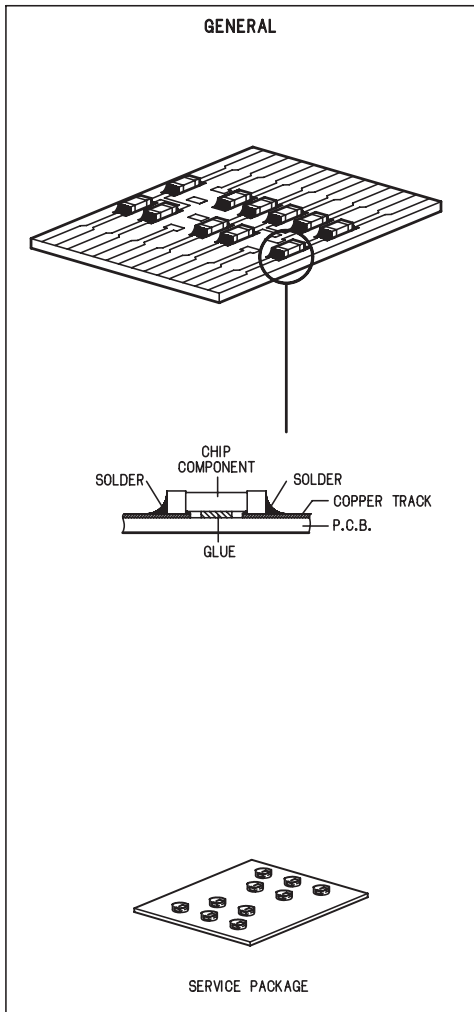
Service Tools:

Universal Torx driver holder	4822 395 91019
Torx bit T10 150mm	4822 395 50456
Torx driver set T6 - T20	4822 395 50145
Torx driver T10 extended	4822 395 50423

Compact Disc:

SBC426/426A Test disc 5 + 5A	4822 397 30096
SBC442 Audio Burn-in Test disc 1kHz	4822 397 30155
SBC429 Audio Signals disc	4822 397 30184
Dolby Pro-logic Test Disc	4822 395 10216

HANDLING CHIP COMPONENTS



(GB) WARNING

All ICs and many other semi-conductors are susceptible to electrostatic discharges (ESD). Careless handling during repair can reduce life drastically.

When repairing, make sure that you are connected with the same potential as the mass of the set via a wrist wrap with resistance. Keep components and tools also at this potential.

(F) ATTENTION

Tous les IC et beaucoup d'autres semi-conducteurs sont sensibles aux décharges statiques (ESD).

Leur longévité pourrait être considérablement écourtée par le fait qu'aucune précaution n'est prise à leur manipulation.

Lors de réparations, s'assurer de bien être relié au même potentiel que la masse de l'appareil et enfiler le bracelet serti d'une résistance de sécurité.

Veiller à ce que les composants ainsi que les outils que l'on utilise soient également à ce potentiel.

ESD**(D) WARNUNG**

Alle ICs und viele andere Halbleiter sind empfindlich gegenüber elektrostatischen Entladungen (ESD).

Unvorsichtige Behandlung im Reparaturfall kann die Lebensdauer drastisch reduzieren.

Veranlassen Sie, dass Sie im Reparaturfall über ein Pulsarmband mit Widerstand verbunden sind mit dem gleichen Potential wie die Masse des Gerätes.

Bauteile und Hilfsmittel auch auf dieses gleiche Potential halten.

(NL) WAARSCHUWING

Alle IC's en vele andere halfgeleiders zijn gevoelig voor electrostatische ontladingen (ESD). Onzorgvuldig behandelen tijdens reparatie kan de levensduur drastisch doen verminderen.

Zorg ervoor dat u tijdens reparatie via een polsband met weerstand verbonden bent met hetzelfde potentiaal als de massa van het apparaat.

Houd componenten en hulpmiddelen ook op hetzelfde potentiaal.

(I) AVVERTIMENTO

Tutti IC e parecchi semi-conduttori sono sensibili alle scariche statiche (ESD).

La loro longevità potrebbe essere fortemente ridotta in caso di non osservazione della più grande cauzione alla loro manipolazione.

Durante le riparazioni occorre quindi essere collegato allo stesso potenziale che quello della massa dell'apparecchio tramite un braccialetto a resistenza.

Assicurarsi che i componenti e anche gli utensili con quali si lavora siano anche a questo potenziale.

(GB) ESD PROTECTION EQUIPMENT:

Complete Kit ESD3 (small tablemat, wristband, connection box, extension cable and earth cable) 4822 310 10671
Wristband tester 4822 344 13999

(GB)

Safety regulations require that the set be restored to its original condition and that parts which are identical with those specified, be used

Safety components are marked by the symbol \triangle .

(NL)

Veiligheidsbepalingen vereisen, dat het apparaat bij reparatie in zijn oorspronkelijke toestand wordt teruggebracht en dat onderdelen, identiek aan de gespecificeerde, worden toegepast.

De Veiligheidsonderdelen zijn aangeduid met het symbool \triangle .

(F)

Les normes de sécurité exigent que l'appareil soit remis à l'état d'origine et que soient utilisées les pièces de rechange identiques à celles spécifiées.

Less composants de sécurité sont marqués \triangle .

(D)

Bei jeder Reparatur sind die geltenden Sicherheitsvorschriften zu beachten. Der Originalzustand des Geräts darf nicht verändert werden; für Reparaturen sind Original-Ersatzteile zu verwenden.

Sicherheitsbauteile sind durch das Symbol \triangle markiert.

(I)

Le norme di sicurezza esigono che l'apparecchio venga rimesso nelle condizioni originali e che siano utilizzati i pezzi di ricambio identici a quelli specificati.

Componenti di sicurezza sono marcati con \triangle .

(GB)

After servicing and before returning set to customer perform a leakage current measurement test from all exposed metal parts to earth ground to assure no shock hazard exist. The leakage current must not exceed 0.5mA.

**(GB) Warning !**

Invisible laser radiation when open.
Avoid direct exposure to beam.

(S) Varning !

Osynlig laserstrålning när apparaten är öppnad och spårren är urkopplad. Betrakta ej strålen.

(SF) Varoitus !

Avatussa laitteessa ja suojalukituksen ohitettaessa olet alltiina näkymättömälle laserisäteilylle. Älä katso säteeseen!

(DK) Advarse !

Usynlig laserstrålning ved åbning når sikkerhedsafbrydere er ude af funktion. Undgå udsættelse for strålning.

(F)

"Pour votre sécurité, ces documents doivent être utilisés par des spécialistes agréés, seuls habilités à réparer votre appareil en panne".

2.2 Service Hints

CAUTION

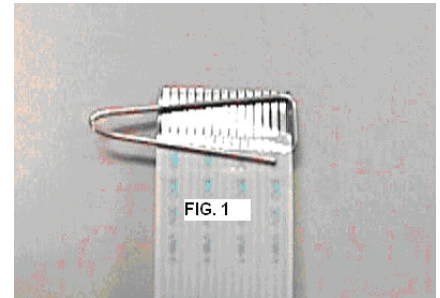
CHARGED CAPACITORS ON THE SERVO BOARD MAY DAMAGE THE DRIVE ELECTRONICS WHEN CONNECTING A NEW DRIVE. THAT'S WHY, BESIDES THE SAFETY MEASURES LIKE

- **SWITCH OFF POWER SUPPLY**
- **ESD PROTECTION**

ADDITIONAL ACTIONS MUST BE TAKEN BY THE REPAIR TECHNICIAN.

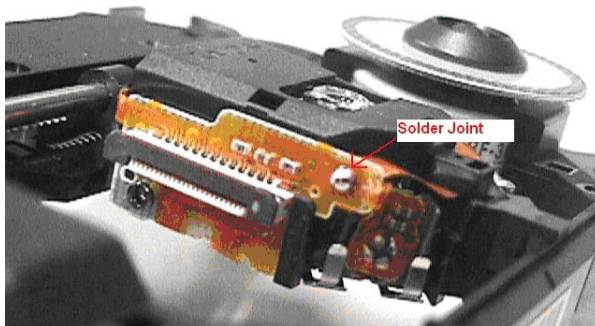
The following steps have to be done when replacing the defective loader :

1. Dismantling of the loader to access the ESD protection point if necessary.
2. **Solder the ESD protection point***.
3. Disconnect flexfoil cable from the defective loader.
4. Put a paper clip on the flexfoil to short-circuit the contacts (fig.1)
5. Replace the defective loader with a new loader.
6. Remove paperclip from the flexfoil and connect it to the new loader.
7. Remove solder joint on the ESD protection point.



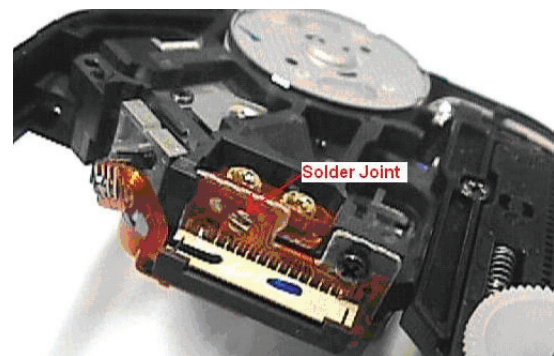
ATTENTION: The laser diode of this loader is protected against ESD by a solder joint which shortcircuits the laser diode to ground. For proper functionality of the loader this solder joint must be removed **after** connection loader to the set.

Type 1



(ESD protection point is accessible from top of loader)

Type 2



(ESD protection point is accessible from bottom of the loader)

****Only applicable for defective loader needed to be sent back to supplier for failure analysis and to support backcharging evidence.***

This is also applicable for all partnership workshops.

3. Directions For Use

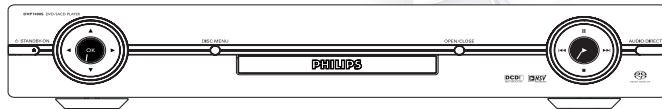
The following excerpt of the Quick Use Guide serves as an introduction to the set. The Complete Direction for the Use can be downloaded in different languages from the internet site of Philips Customer care Center: www.p4c.philips.com

Quick Start Guide

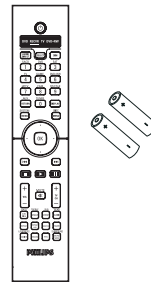
DVP 7400S
DVD Video Player



What's in the box?



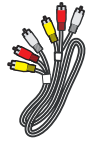
DVD Video Player



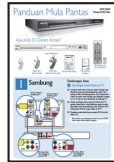
Remote Control and 2 AA batteries



Power cable



Audio (red & white plugs) and Video (yellow plugs) cables



Quick Start Guide



User Manual

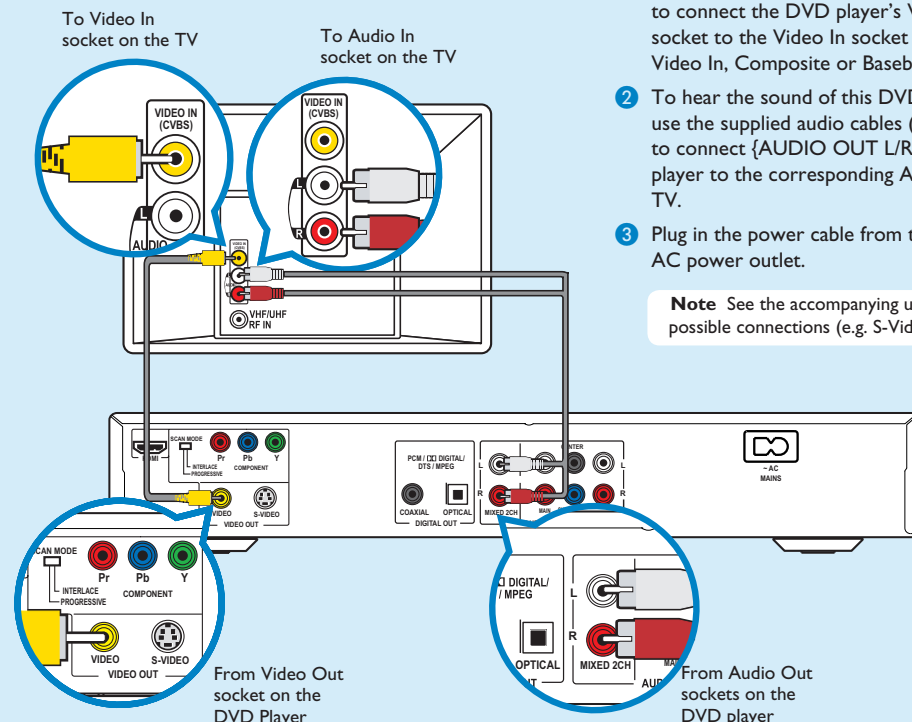
1 Connect

Basic Connection

A Audio/Video connection to TV

- 1 Use the supplied composite video cable (yellow plug) to connect the DVD player's Video Out (CVBS) socket to the Video In socket (or labeled as A/V In, Video In, Composite or Baseband) on the TV.
- 2 To hear the sound of this DVD player from the TV, use the supplied audio cables (red and white plugs) to connect {AUDIO OUT L/R} sockets of the DVD player to the corresponding Audio In sockets on the TV.
- 3 Plug in the power cable from the DVD player to an AC power outlet.

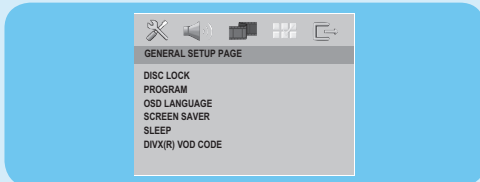
Note See the accompanying user manual for other possible connections (e.g. S-Video, Component Video).



2 Set up

A Finding the viewing channel

- 1 Press **⏻** on the DVD player's remote control.
- 2 Press **SELECT** button until [DVD] is lighted on the remote control display panel.
- 3 Switch on the TV.
- 4 Press **SYSTEM MENU** on the DVD player's remote control.



- 5 Press '0' on the TV's remote control, then repeatedly press the Channel Down button until you see the DVD background screen. This is the correct viewing channel for the DVD player.

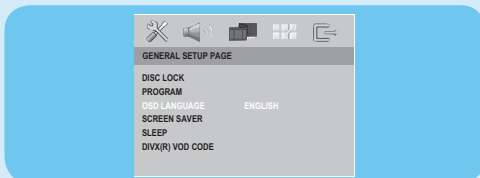
Note For some TVs, to find the correct viewing channel, you can keep pressing the AV or SELECT buttons. If still unable to find the correct viewing channel, check the connections again or check your TV's user manual.

B Language preference setup

Use the DVD player's remote control to select the desired On-screen language, Audio language, Subtitle language and Menu language you preferred.

Selecting On-screen language

- 1 Press **▶** to select {General Setup Page}.
- 2 Press **▲ ▼** to highlight {OSD Language}, then press **▶**.



- 3 Press **▲ ▼** to select a language and press **OK**.

Note The On-screen language for the setup menu will remain once you set it, regardless of various disc languages.

Need help?

User Manual

For more product information refer to the user manual of the DVD player

Online

Go to www.philips.com/support

 Be responsible
Respect copyrights

3 Enjoy

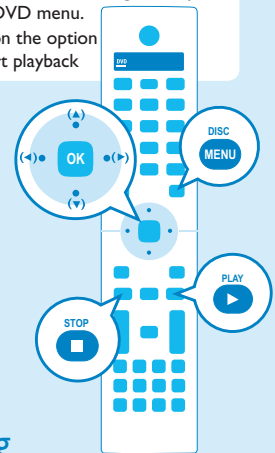
A Start playback

- 1 Playback may start automatically when a disc has been loaded in the disc tray.

Note If a disc menu appears on the TV:

- 1) Press **▲ ▼ ◀ ▶** to scroll through the options available in the DVD menu.
- 2) Press **PLAY ▶** on the option you want to start playback

- 2 Press **PLAY ▶** to start playback.
- 3 To stop playback, press **STOP ■**.
- 4 Press **DISC MENU** to go back to the disc menu anytime.



Troubleshooting

For more troubleshooting tips, see the user manual.

No power

- Check if the AC power cord is properly connected.
- Press the STANDBY-ON on the front of the DVD player to turn on the power.

No picture

- Check connection to TV and ensure the plugs are firmly in place.

No sound or distorted sound

- Adjust the volume
- Check audio connections are in the correct input source.

Remote control does not work

- Check the batteries are loaded correctly or replace the batteries with new ones.
- Reduce the distance between the remote control and the DVD player.
- Point the remote control directly toward the IR sensor.



2005 © Koninklijke Philips N.V.
All rights reserved.
12 NC 3139 246 24061
www.philips.com
SL/0631/98/93_06/02

4. Dismantling Instructions

4.1 Dismantling of the DVD Loader.

- 1) The tray can be manually open by inserting a minus screw driver and push the lever in the direction as shown in Figure 1 to unlock the tray before sliding it out.
- 2) Slide out the tray and remove the Tray Front assembly as shown in Figure 2.

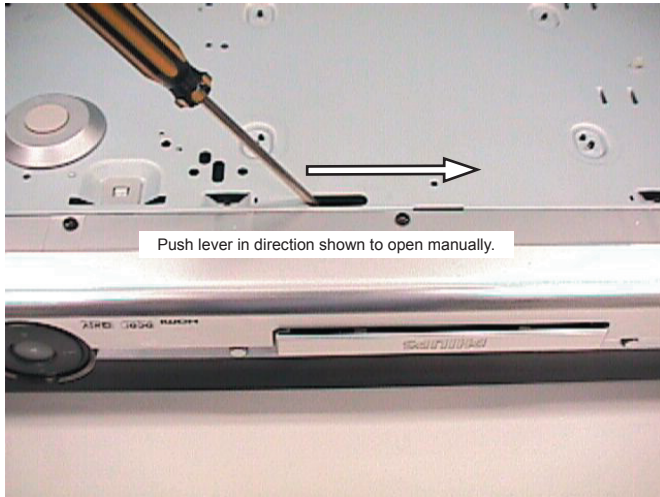


Figure 4-1

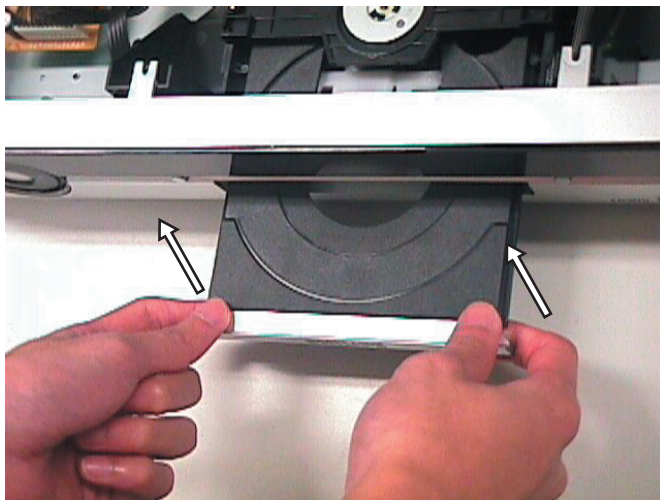


Figure 4-2

- 3) Loosen 4 screws A (see Figure 3) to remove the DVD Loader.

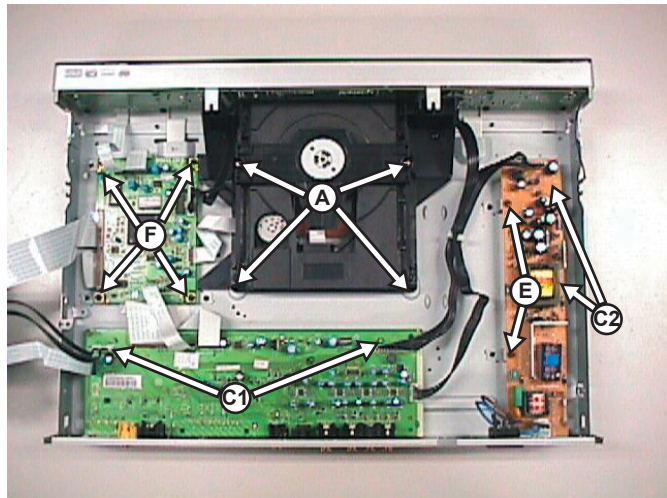


Figure 4-3

4.2 Dismantling of the PSCAN HDMI Board, AV Board, PSU Board and SD 6.3 Board.

- 1) Loosen 3 screws B (see Figure 4) to remove the PSCAN HDMI Board.
- 2) Loosen 7 screws D (see Figure 5) and uncatch 2 catches C1 (see Figure 3) to remove the AV Board.
- 3) Loosen 2 screws E and uncatch 2 catches C2 (see Figure 3) to remove the PSU Board.
- 4) Loosen 4 screws F (see Figure 3) to remove the SD 6.3 Board.

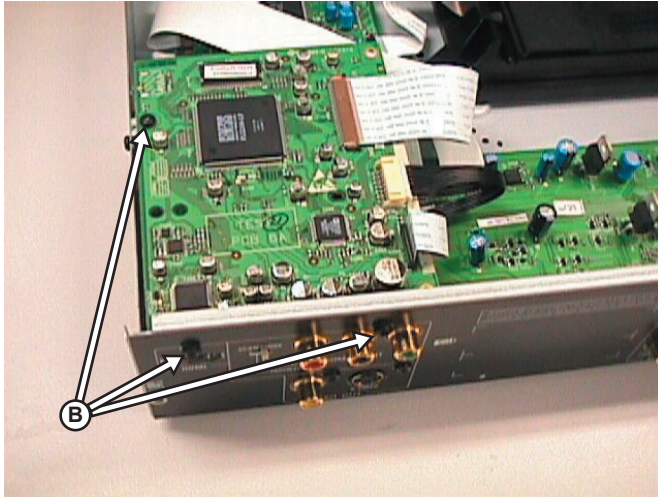


Figure 4-4

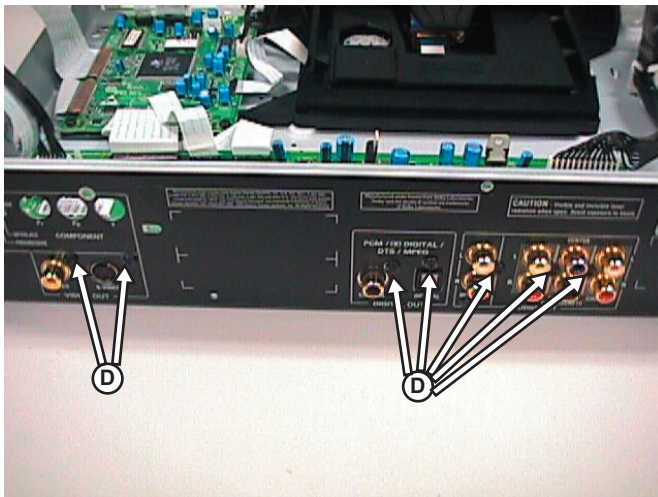


Figure 4-5

4.3 Detaching the Cabinet Front assembly

- 1) Loosen 5 screws G and uncatch 4 catches C3 (see Figure 6) to detach the Cabinet Front assembly from the Frame by sliding it out towards the front.
 - See Service Position C

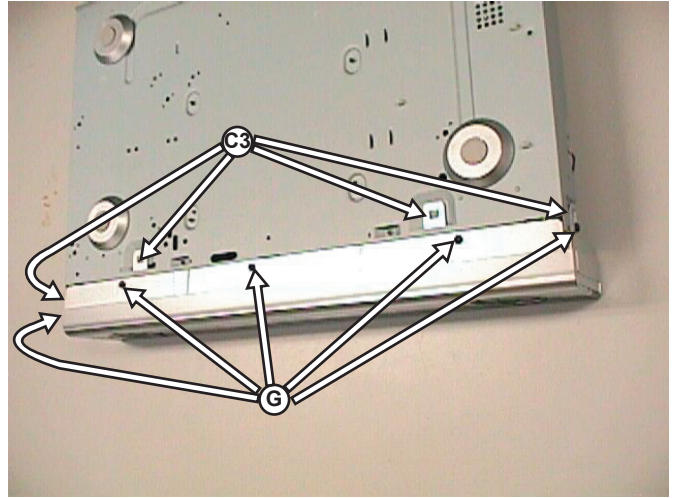
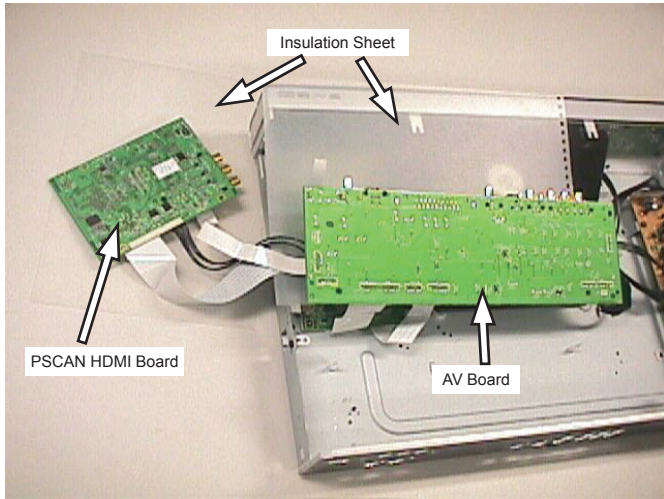
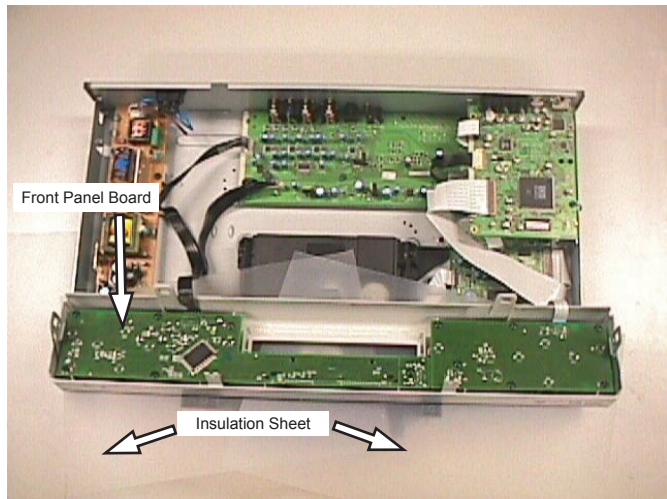


Figure 4-6

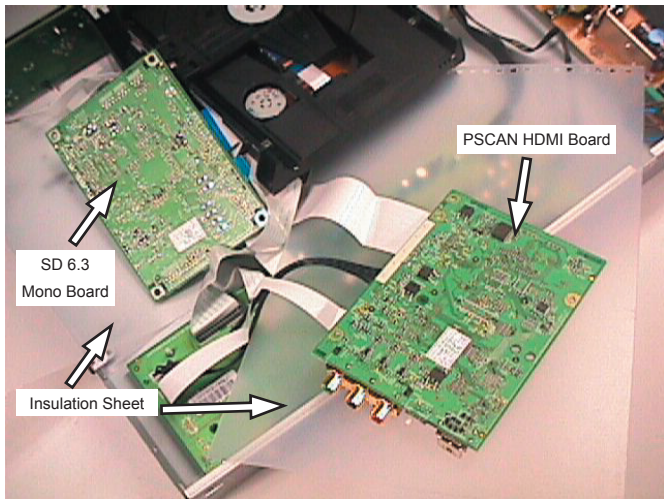
4.4 Service Positions



Service Position A

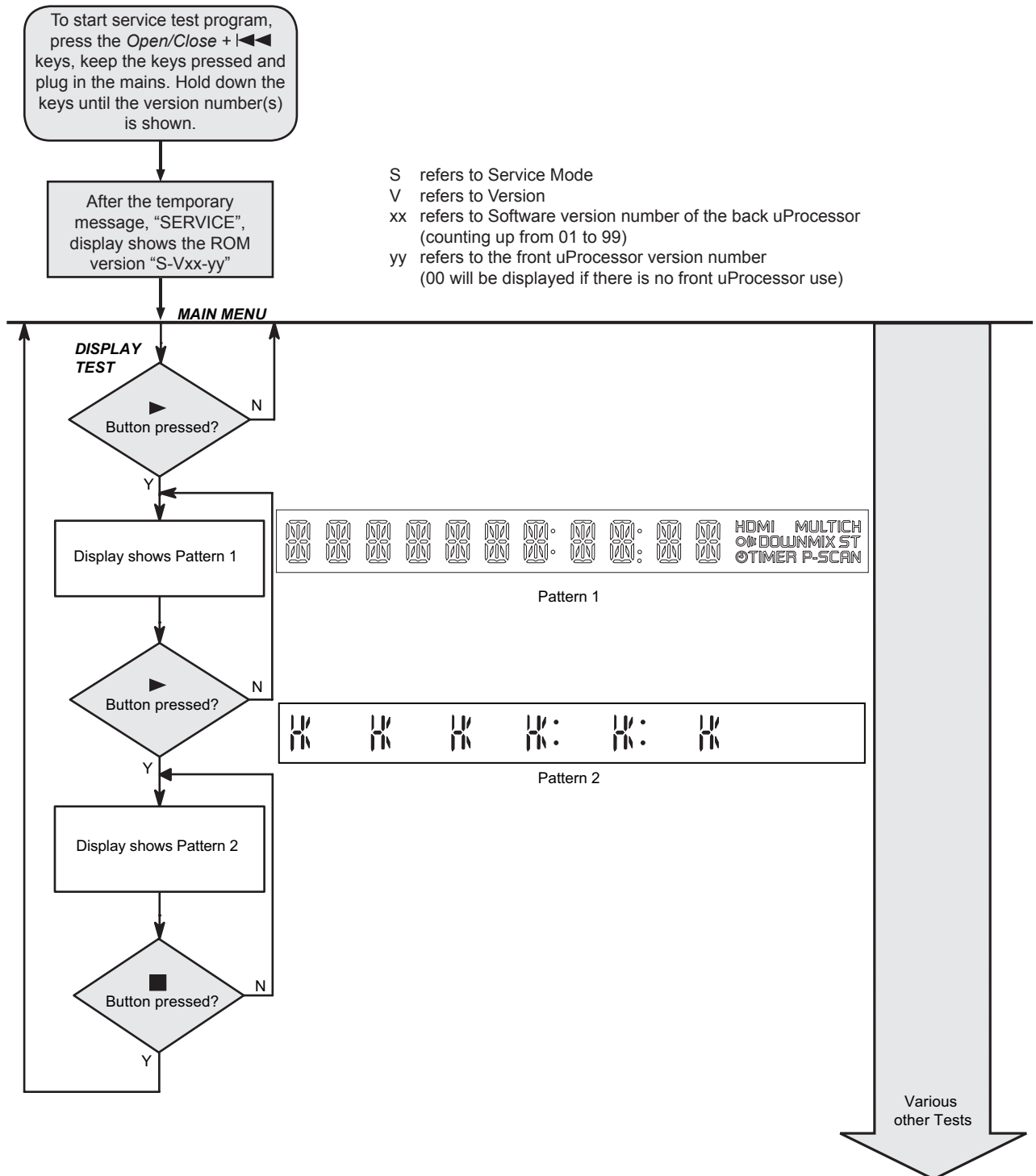


Service Position C



Service Position B

5. Service Test Program



TEST	Activated with	ACTION
EEPROM FORMAT TEST	DISC MENU	Load default data. Display shows "NEW". Caution! All presets from the customer will be lost!!
LEAVE SERVICE TEST PROGRAM	Disconnect mains cord	

5.1.1 Reprogramming of DVD version Matrix

After repair, the customer setting and region code may be lost. Reprogramming will put the set back in the state in which it has left the factory, ie. with the default setting and the allowed region code.

Model	Region	Region Code	TV Type
DVP 7400S/93	China	6	PAL
DVP 7400S/98	APAC	3	PAL

To reprogram do as follows:

- 1) Power up the set.
- 2) Open tray by press "OPEN/CLOSE" button on the set or press and hold "STOP" button on the RC.
- 3) Press the following buttons on the Remote Control:
 <9> <9> <9> <9> <AUDIO> <1>for DVP 7400S/93
 <9> <9> <9> <9> <AUDIO> <1>for DVP 7400S/98
- 4) The display shows 'YYYY-ZZ' and the tray will close.
YYYY = model number (eg. 0720, 3900, etc.)
ZZ = stroke version (eg. 00, 02, 05, etc.)

5.1.2 Procedure for check Software version

- 1) Power up the set.
- 2) Open tray by press "OPEN/CLOSE" button on the set or press and hold "STOP" button on the RC.
- 3) Press "DISPLAY" button on the Remote control.
- 4) The TV screen will show:

SD6.3 Vxx 7400-98 3 yy
SERVO: aaaaaaaa REG:3

xx = BEA software version
 yy = Front software version
 aaaaaaaa = Servo software version.

5.1.3 Procedure to upgrade software

- 1) Power up the set.
- 2) Open tray by press "OPEN/CLOSE" button on the set or press and hold "STOP" button on the RC.
- 3) Place upgrade CD-ROM onto tray and close.
- 4) The set will response and display the following:
 - **LOAD** [After the disc is read, the tray will open for you to remove the disc]
 - **ERASE**
 - **WRITE**
 - **ERROR** [if upgrade is unsuccessful]
 - **UPG END -> PHILIPS** [if upgrade is successful]
 - **DISC->CLOSE->LOAD** [Tray will close indicating that the upgrade process is completed]
- 5) The whole process should not take more than 5 minutes.

Caution: Do not unplug the set until upgrade is completed.

5.1.4 Trade Mode

Trade mode is a feature that will block all set keys when enabled. It is for dealers to prevent customers from removing disc, changing source etc using the set keys. Rotary and Remote Control (RC) keys are still allowed in Trade mode.

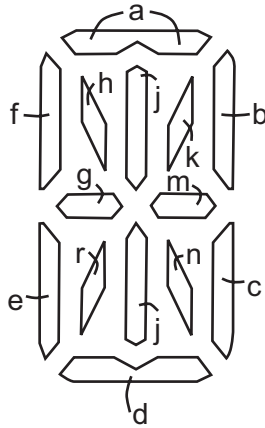
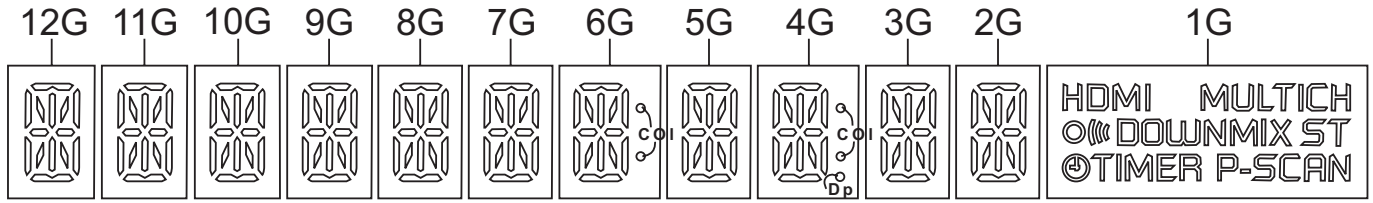
To activate Trade Mode:

- 1) Power up the set.
- 2) Open tray by press "OPEN/CLOSE" button on the set or press and hold "STOP" button on the RC.
- 3) Then press buttons <2> <5> <9> on the RC.
- 4) The display shows 'TRA ON' and the tray will close. Trade Mode is now enabled.

To deactivate Trade Mode:

- 1) Power up the set.
- 2) Open tray by press and hold "STOP" button on the RC.
- 3) Then press buttons <2> <5> <9> on the RC.
- 4) The display shows 'TRA OFF' and the tray will close. Trade Mode is now disabled.

5.2 FTD Display Pin Connection



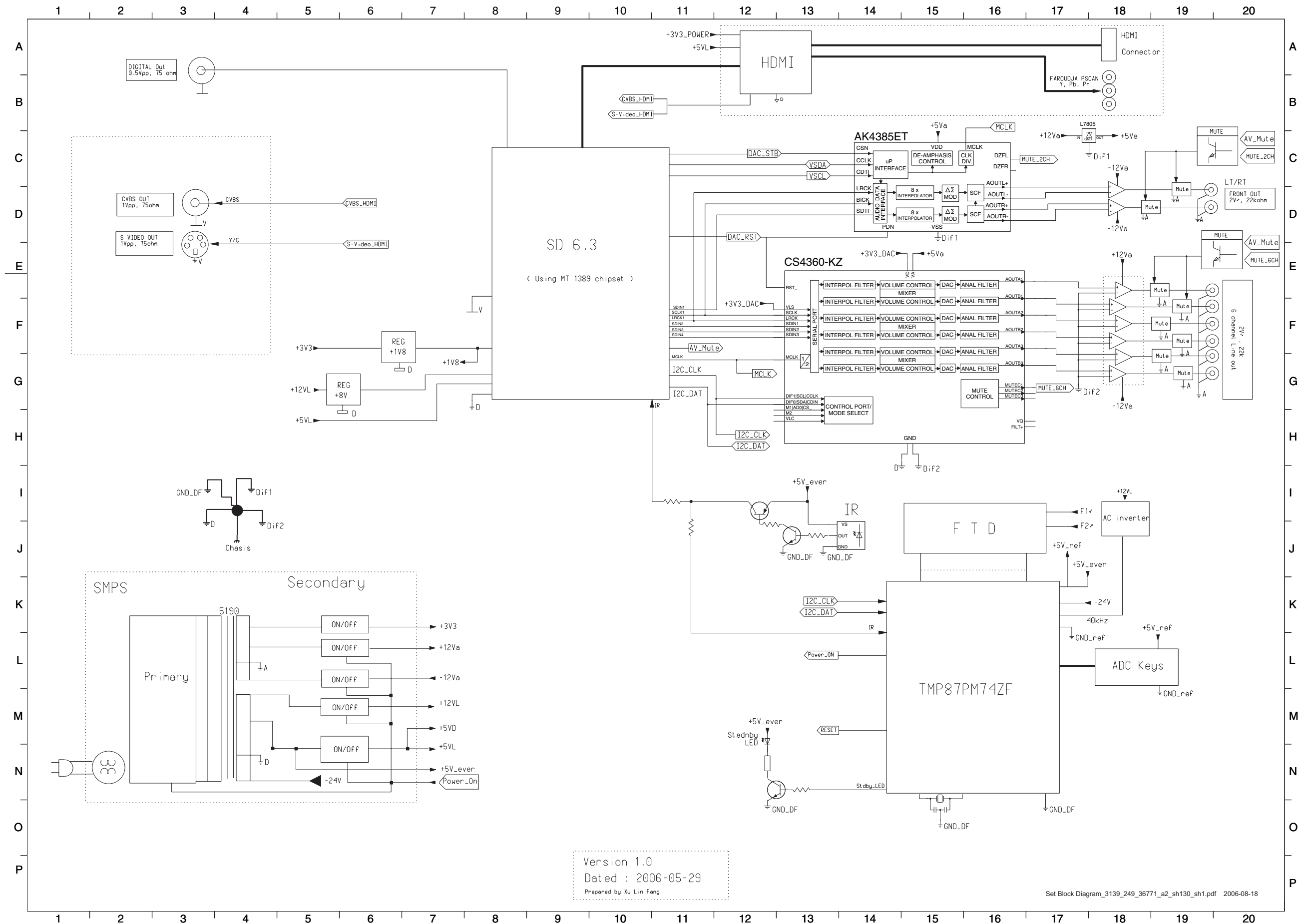
(12 G~ 2G)

ANODE CONNECTION

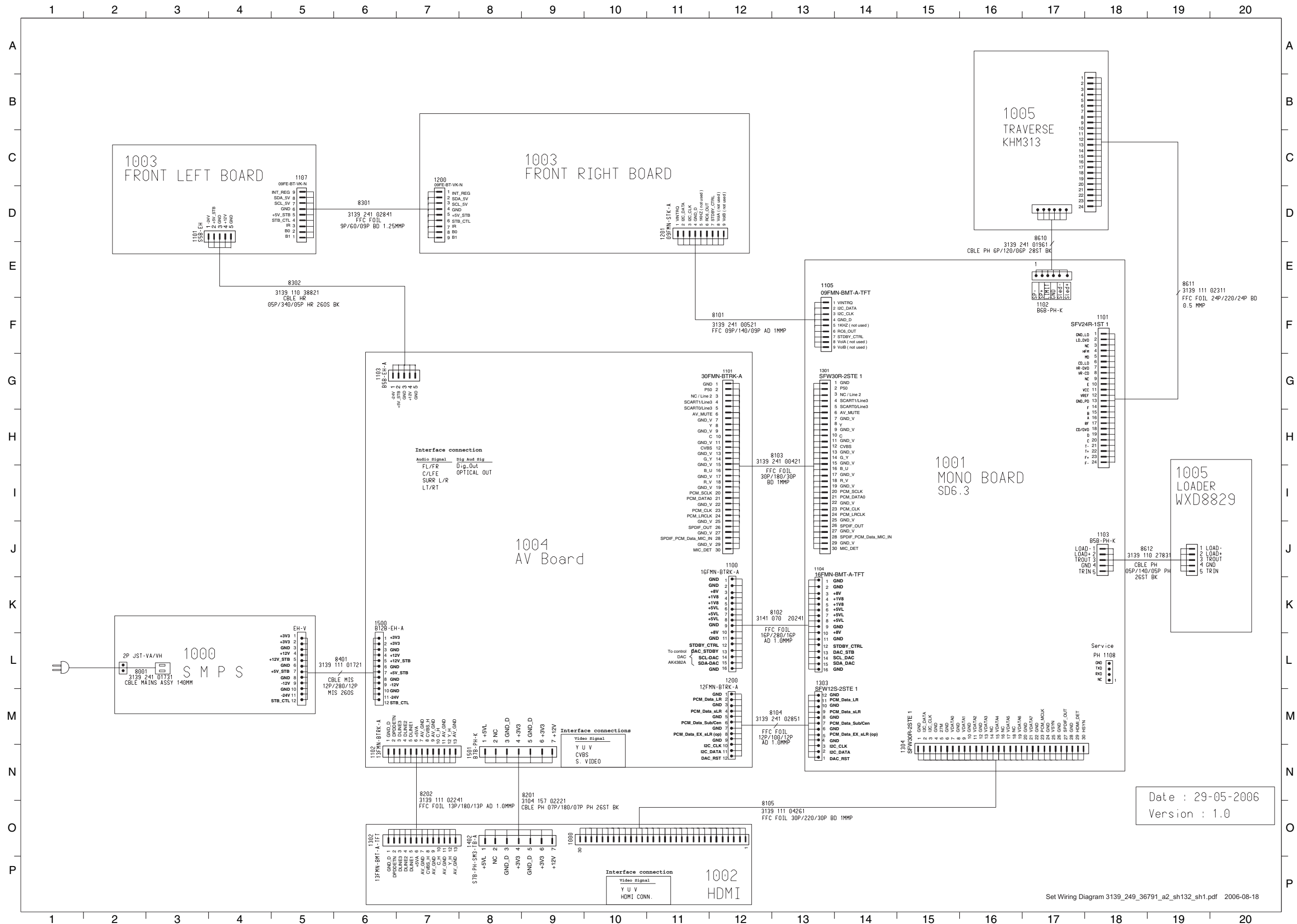
	12G	11G	10G	9G	8G	7G	6G	5G	4G	3G	2G	1G
P1	a	a	a	a	a	a	a	a	a	a	a	HDMI
P2	j	j	j	j	j	j	j	j	j	j	j	Ⓞ
P3	h	h	h	h	h	h	h	h	h	h	h	ⓄTIMER
P4	k	k	k	k	k	k	k	k	k	k	k	ST
P5	b	b	b	b	b	b	b	b	b	b	b	DOWNMIX
P6	f	f	f	f	f	f	f	f	f	f	f	MULTICH
P7	m	m	m	m	m	m	m	m	m	m	m	P-SCAN
P8	g	g	g	g	g	g	g	g	g	g	g	-
P9	c	c	c	c	c	c	c	c	c	c	c	-
P10	e	e	e	e	e	e	e	e	e	e	e	-
P11	r	r	r	r	r	r	r	r	r	r	r	-
P12	n	n	n	n	n	n	n	n	n	n	n	-
P13	d	d	d	d	d	d	d	d	d	d	d	-
P14	-	-	-	-	-	-	col	-	col	-	-	-
P15	-	-	-	-	-	-	-	-	Dp	-	-	-

Notes:

6. Block Diagram

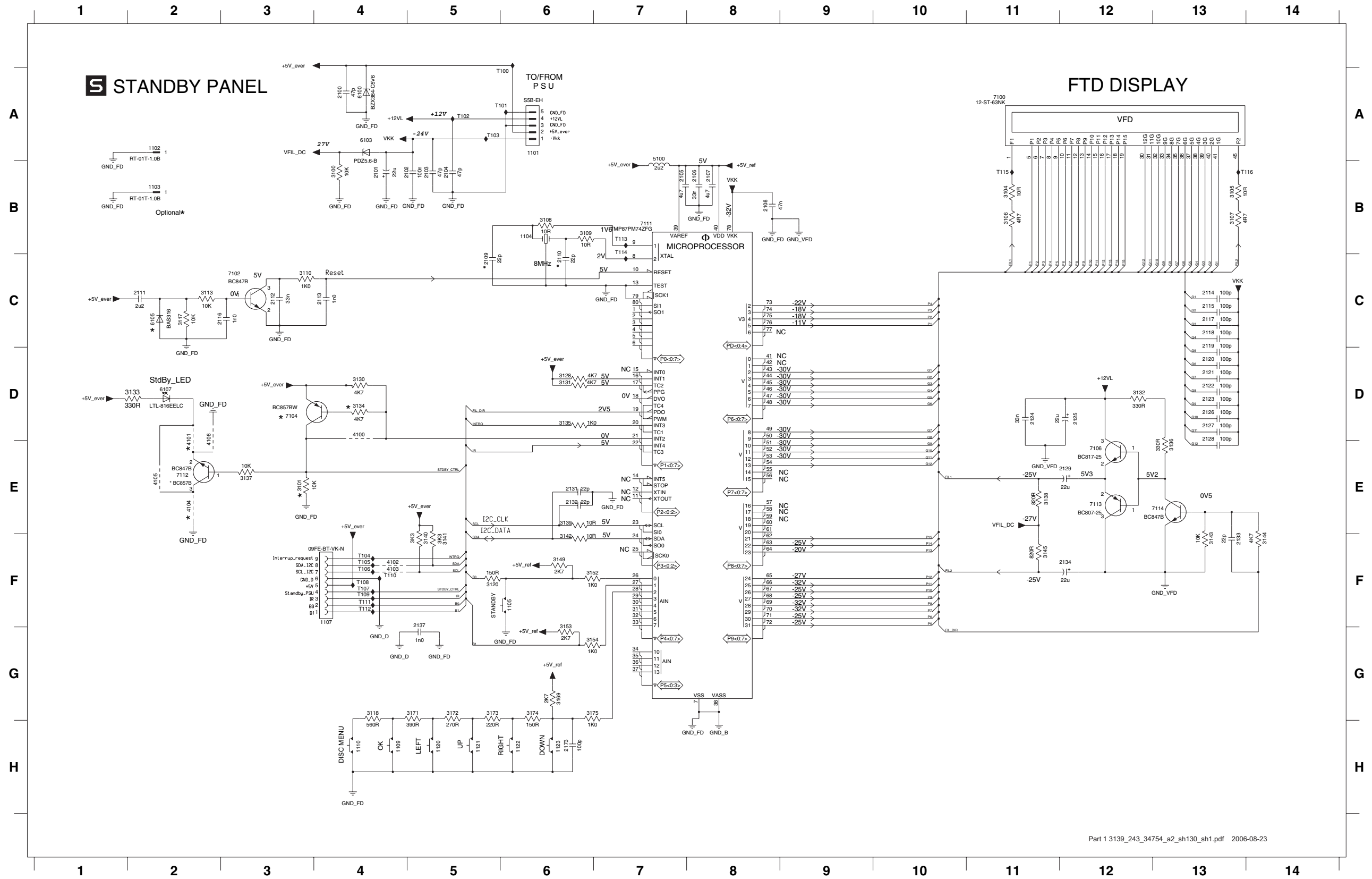


Wiring Diagram



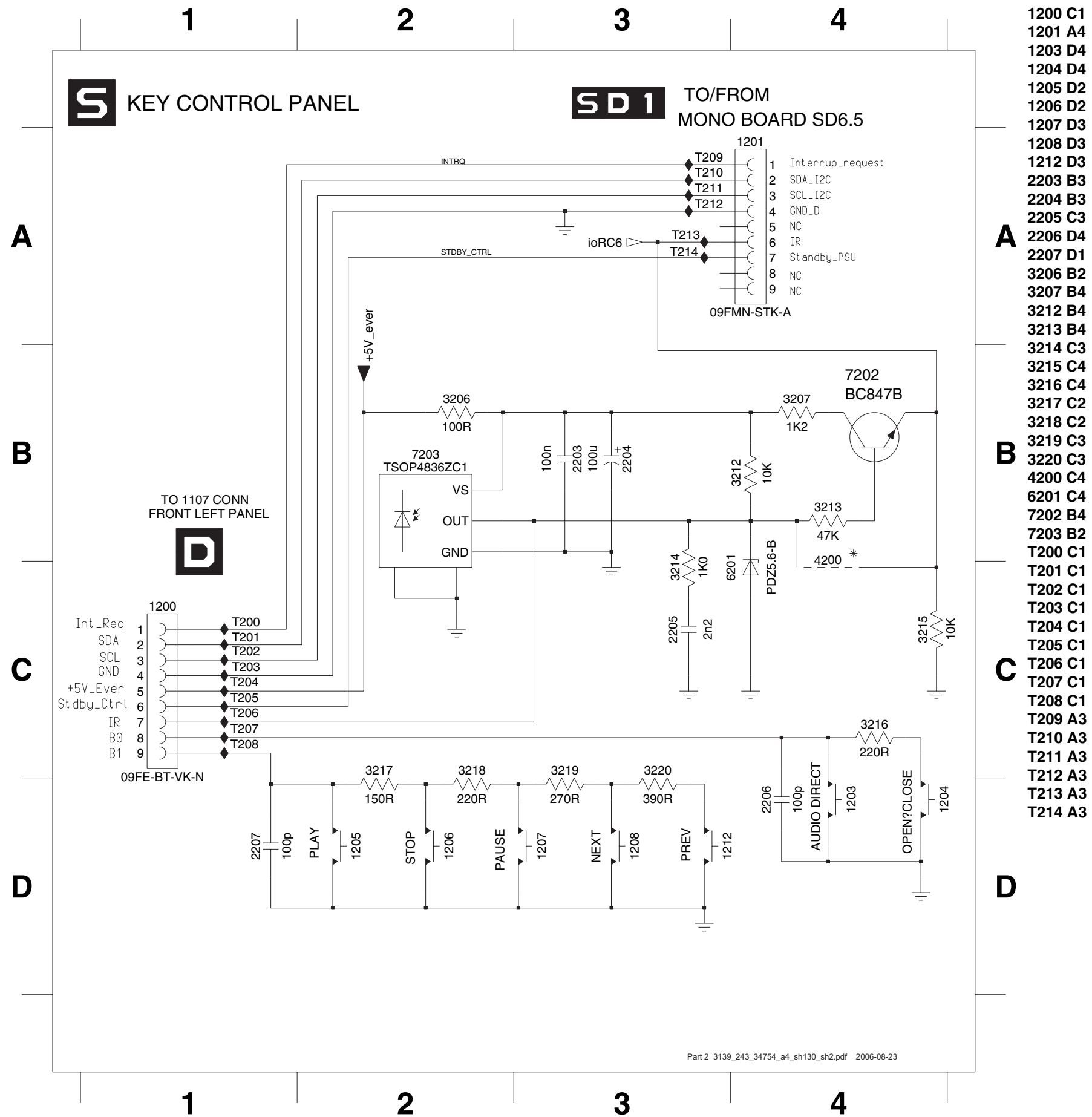
Date : 29-05-2006
Version : 1.0

7. Front Board Circuit Diagram - Part 1

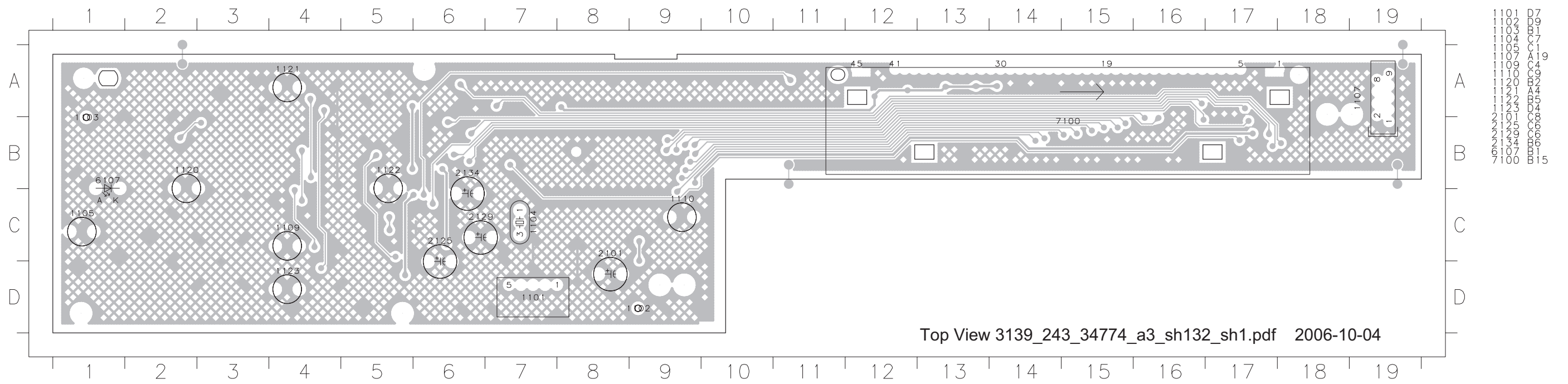


- 1101 A6
- 1102 A2
- 1103 B2
- 1104 B6
- 1105 F6
- 1107 F4
- 1109 H4
- 1110 H4
- 1120 H5
- 1121 H5
- 1122 H6
- 1123 H6
- 2100 A4
- 2101 B4
- 2102 B5
- 2103 B5
- 2104 B5
- 2105 B7
- 2106 B8
- 2107 B8
- 2108 B8
- 2109 C5
- 2110 C6
- 2111 C2
- 2112 C3
- 2113 C4
- 2114 C13
- 2115 C13
- 2116 C3
- 2117 C3
- 2118 C3
- 2119 D13
- 2120 D13
- 2121 D13
- 2122 D13
- 2123 D13
- 2124 D11
- 2125 D12
- 2126 D13
- 2127 D13
- 2128 E13
- 2129 E12
- 2131 E6
- 2132 E6
- 2133 F13
- 2134 F12
- 2137 F5
- 2173 H6
- 3100 B4
- 3101 E3
- 3104 B11
- 3105 B13
- 3106 B11
- 3107 B13
- 3108 B6
- 3109 B6
- 3110 C3
- 3112 C2
- 3119 G4
- 3120 F5
- 3128 D6
- 3130 D4
- 3131 D6
- 3132 D12
- 3133 D2
- 3134 D4
- 3135 D6
- 3136 E13
- 3137 E3
- 3138 E11
- 3139 E6
- 3140 F5
- 3141 F5
- 3142 F6
- 3143 F13
- 3144 F14
- 3145 F11
- 3149 F6
- 3152 F6
- 3153 G6
- 3154 G6
- 3169 G6
- 3171 G5
- 3172 G5
- 3173 G5
- 3174 G6
- 3175 G6
- 4100 D4
- 4101 D2
- 4102 F4
- 4103 F4
- 4104 E2
- 4105 E2
- 4106 D2
- 5100 A7
- 6100 A4
- 6103 A4
- 6105 C2
- 6107 D2
- 7100 A11
- 7102 C3
- 7104 D3
- 7106 E12
- 7111 B7
- 7112 E2
- 7113 E12
- 7114 E13
- T100 A6
- T101 A6
- T102 A5
- T103 A5
- T104 F4
- T105 F4
- T106 F4
- T107 F4
- T108 F4
- T109 F4
- T110 F4
- T111 F4
- T112 F4
- T113 B7
- T114 B7
- T115 B11
- T116 B14

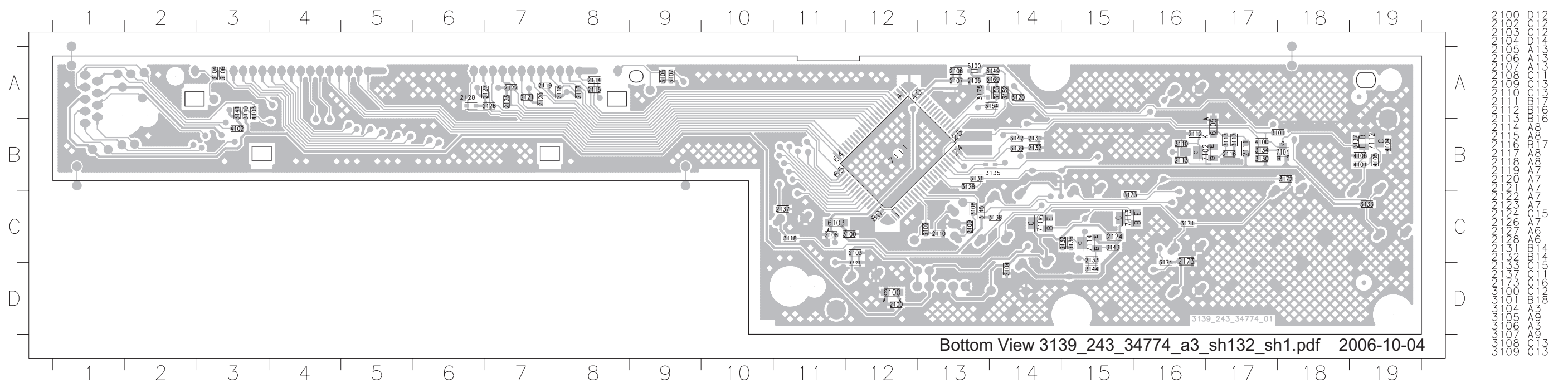
Front Board Circuit Diagram - Part 2



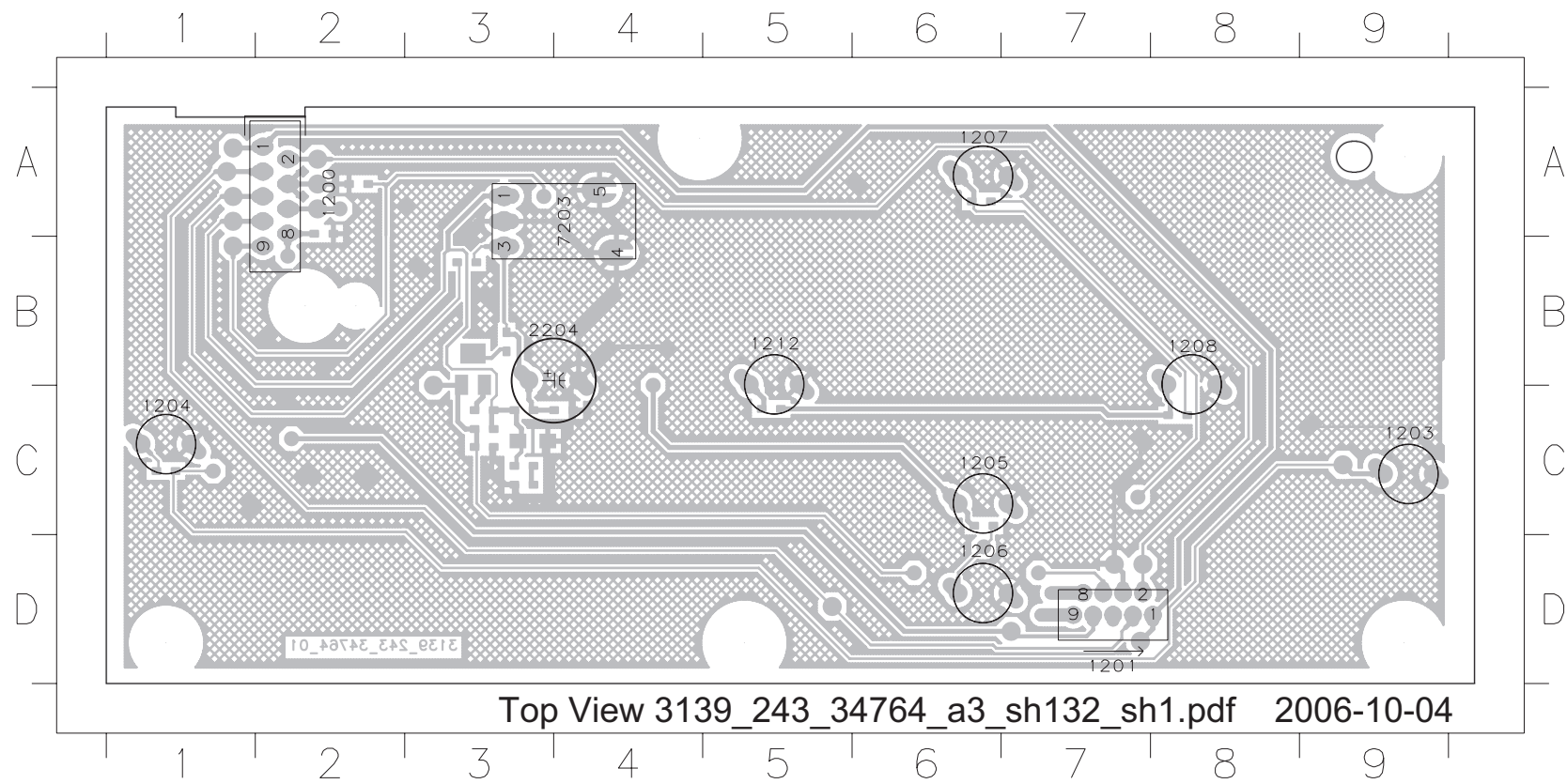
Front Left Board Layout - Top View



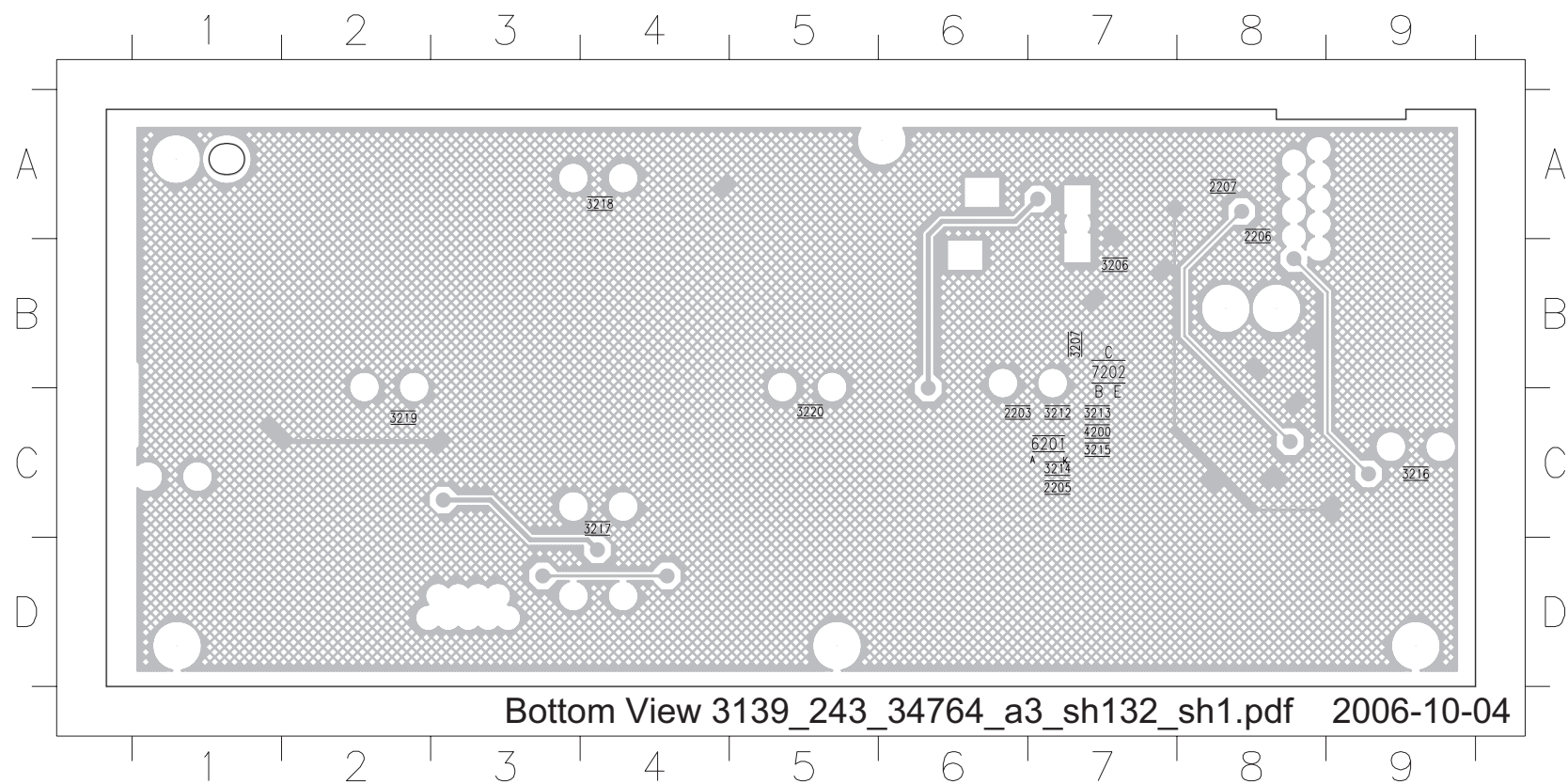
Front Left Board Layout - Bottom View



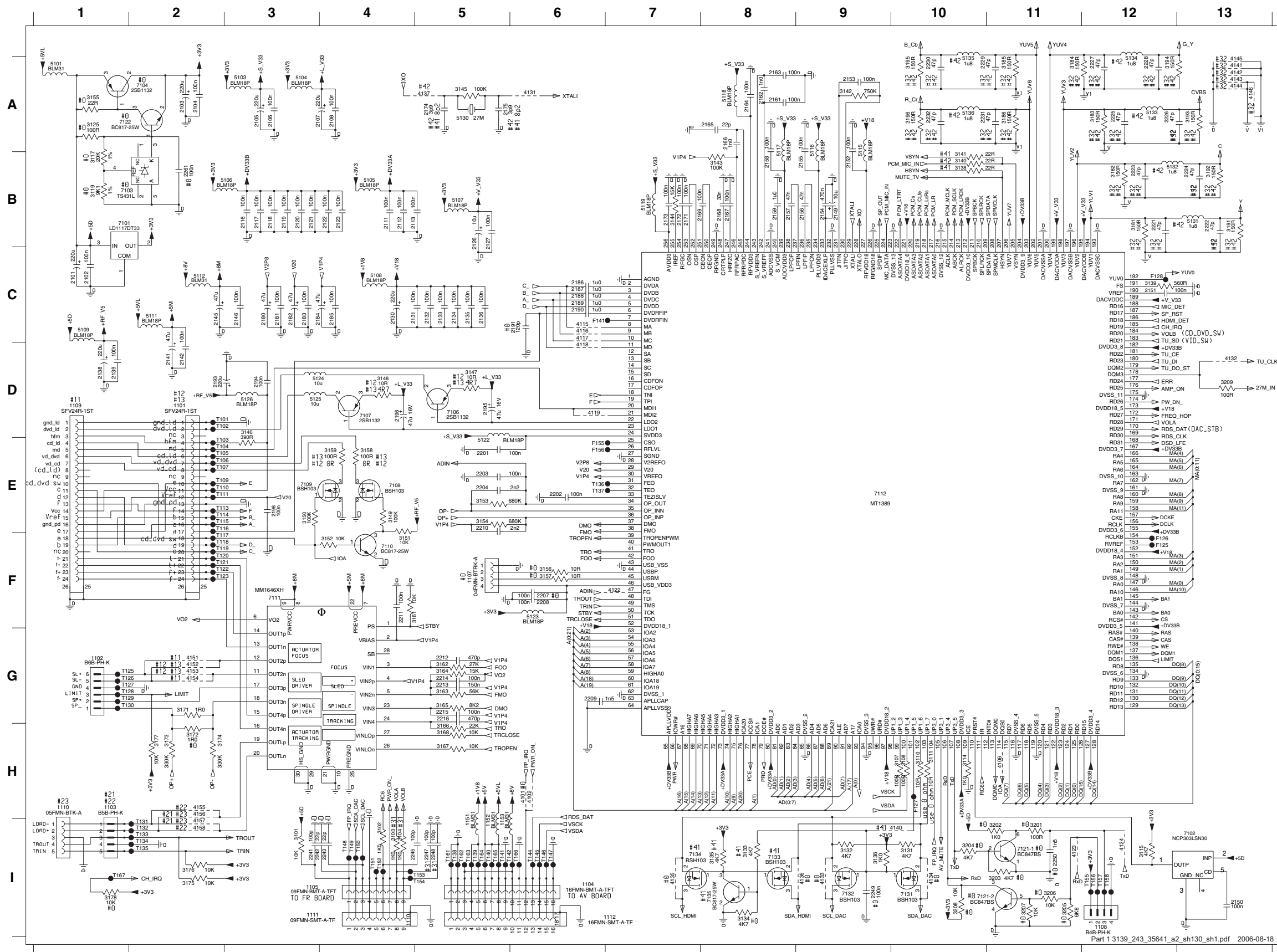
Front Right Board Layout - Top View



Front Right Board Layout - Bottom View



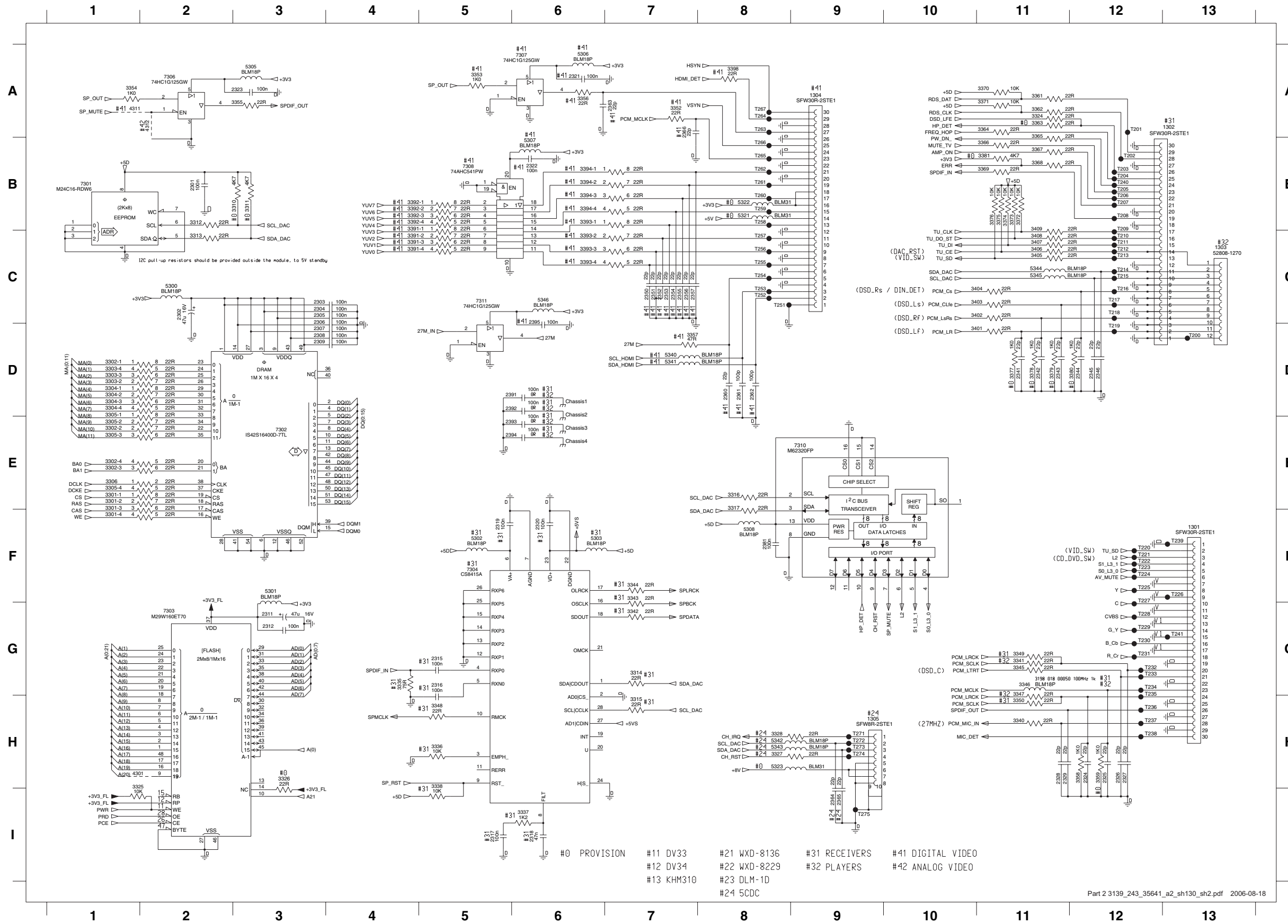
SD6.3 Mono Board Circuit Diagram - Part 1



1101 D2	2232 A10	4153 G2	T163 I5
1102 G1	2241 I3	4154 G2	T164 I5
1103 A1	2242 I3	4155 H1	T165 I5
1104 I6	2243 I4	4156 H2	T166 I6
1105 I3	2245 I4	4157 I2	T167 I1
1107 F5	2247 I5	4158 I2	
1108 I12	2248 I5	5101 A1	
1109 D1	2249 I9	5103 A3	
1110 H1	2250 I11	5104 A3	
1111 B2	2251 I9	5105 B4	
1112 I7	3101 I8	5106 B3	
1151 I5	3102 I4	5107 B5	
1152 I5	3103 I4	5108 C4	
1153 I5	3104 I4	5109 C1	
2101 C1	3107 H10	5111 C2	
2102 C1	3110 H10	5112 C2	
2103 A2	3111 H10	5115 A9	
2104 A2	3111 H10	5116 A9	
2105 A3	3114 H10	5117 A8	
2106 A3	3115 I12	5118 A8	
2107 A4	3117 B1	5119 B7	
2108 A4	3119 B1	5122 E5	
2111 B4	3125 A1	5123 F6	
2112 B4	3131 I10	5124 D3	
2113 B4	3132 I9	5125 D3	
2116 B3	3133 I8	5126 D3	
2117 B3	3134 I8	5130 A5	
2118 B3	3135 I8	5131 B13	
2119 B3	3136 I9	5132 B12	
2120 B3	3138 B10	5133 A12	
2121 B3	3139 C12	5134 A12	
2122 B3	3140 B12	5135 A12	
2123 B4	3141 B10	5136 A10	
2126 B5	3142 A9	7101 B1	
2127 B5	3143 B8	7102 I13	
2130 C4	3144 B7	7103 B1	
2131 C5	3145 A5	7104 A2	
2132 C5	3146 D3	7106 D5	
2133 C5	3147 D5	7107 D4	
2134 C5	3148 D4	7108 D4	
2135 C5	3149 E4	7109 E3	
2136 C5	3150 E3	7110 F4	
2138 D1	3151 F4	7111 F3	
2139 D1	3152 F4	7112 E9	
2141 D2	3153 E5	7121-111	
2142 D2	3154 E5	7122 A1	
2143 D2	3155 A1	7122 A1	
2146 C3	3156 F6	7131 I10	
2149 B9	3157 F6	7132 I9	
2150 I13	3158 E4	7133 I8	
2151 C12	3159 E4	7134 I7	
2152 B9	3161 F4	7135 I8	
2153 A9	3162 G5	F125 F12	
2154 B9	3163 G5	F126 F12	
2155 B9	3164 G5	F127 F10	
2156 B9	3165 G5	F128 C12	
2157 B8	3166 H5	F141 C6	
2158 B8	3167 H5	F155 E6	
2159 B8	3168 H5	F156 E6	
2161 A8	3171 G2	F156 E6	
2162 A8	3172 H2	T102 D2	
2163 A8	3173 H2	T103 E2	
2164 A8	3174 H2	T104 E2	
2165 A8	3175 I2	T105 E2	
2166 A8	3176 I2	T106 E2	
2167 B8	3177 H2	T107 E2	
2168 B8	3178 I1	T109 E2	
2169 B8	3181 B12	T110 E2	
2171 B7	3182 B12	T111 E2	
2172 B7	3183 B12	T112 E2	
2173 B7	3184 A11	T114 E2	
2174 A5	3185 A11	T115 E2	
2175 A5	3186 A11	T116 E2	
2180 C3	3191 B13	T117 F2	
2181 C3	3192 B13	T118 F2	
2182 C3	3193 A13	T119 F2	
2183 C4	3194 A12	T120 F2	
2184 C4	3195 A10	T121 F2	
2185 C4	3196 A10	T122 F2	
2186 C6	3201 I11	T123 F2	
2187 C6	3202 I11	T125 G1	
2188 C6	3203 I11	T126 G1	
2189 C6	3204 I10	T127 G1	
2190 C6	3205 I11	T128 G1	
2191 C6	3206 I11	T129 G1	
2193 D2	3207 I11	T130 G1	
2194 D3	3208 I10	T131 I2	
2195 D3	3209 D13	T132 I2	
2196 D4	4101 H6	T133 I2	
2198 E3	4102 H6	T134 I2	
2201 E5	4106 H11	T135 I2	
2202 E5	4115 C6	T136 E6	
2203 E5	4116 C6	T137 E6	
2204 E5	4117 C6	T138 I5	
2207 F6	4118 D6	T139 I5	
2208 F6	4119 D6	T140 I5	
2209 G6	4122 F7	T141 I5	
2210 E5	4123 I11	T142 I6	
2211 F4	4124 I12	T144 I6	
2212 G5	4125 G5	T145 I6	
2213 G5	4123 D13	T146 I6	
2214 G5	4132 I9	T147 I6	
2215 G5	4134 I10	T148 I4	
2216 G5	4135 I7	T149 I4	
2221 B12	4136 I9	T150 I4	
2222 B13	4137 A5	T151 I4	
2223 B12	4140 I10	T152 I4	
2224 B13	4141 A13	T153 I5	
2225 A12	4142 A13	T154 I5	
2226 A12	4143 A13	T155 I12	
2227 A12	4144 A13	T156 I12	
2228 A12	4145 A13	T157 I12	
2229 A10	4146 A13	T158 I12	
2230 A10	4151 G2	T161 I5	
2231 A10	4152 G2	T162 I5	

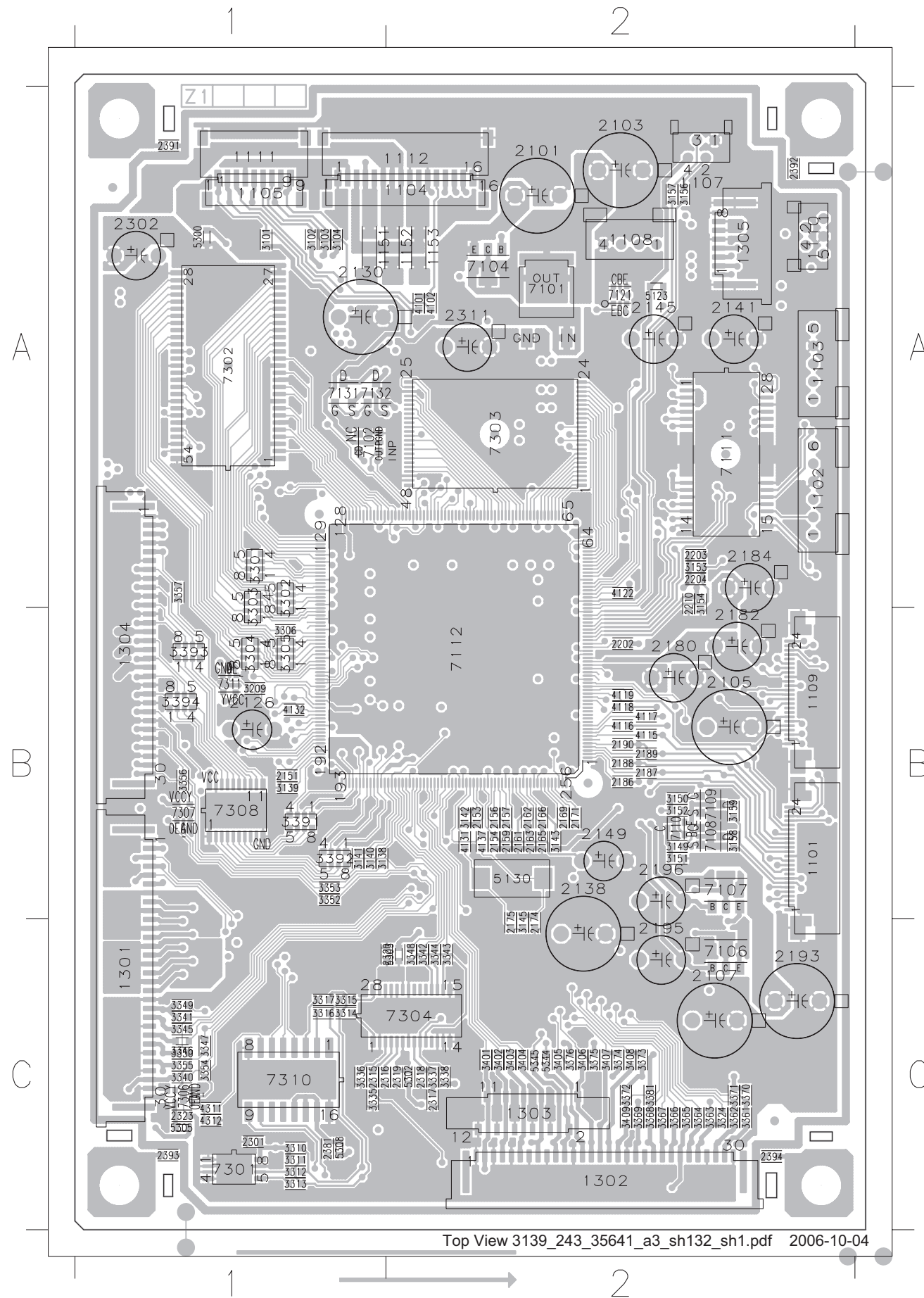
#0 PROVISION	#11 DV33	#21 WXD-8136	#31 RECEIVERS	#41 DIGITAL VIDEO
	#12 DV34	#22 WXD-8229	#32 PLAYERS	#42 ANALOG VIDEO
	#13 KHM310	#23 DLM-1D		
		#24 5CDD		

SD6.3 Mono Board Circuit Diagram - Part 2



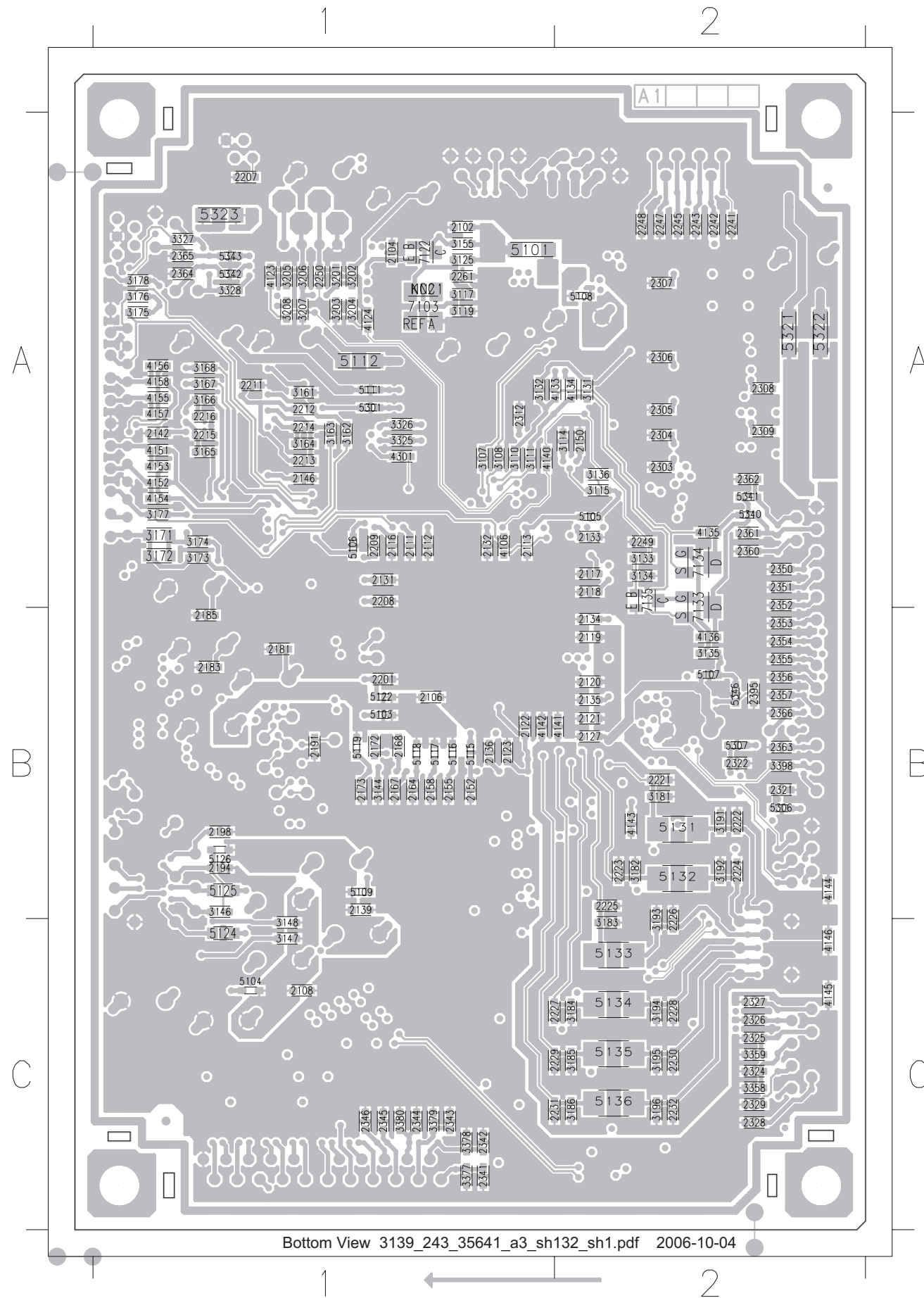
1301 F13	3358 H12	T233 G12
1302 A13	3359 H12	T234 G12
1303 C13	3361 A11	T235 H12
1304 A9	3362 A11	T236 H12
1305 H9	3363 A11	T237 H12
2301 B2	3364 A11	T238 H12
2302 C2	3365 B11	T239 F13
2303 C3	3366 B11	T240 B12
2304 C3	3367 B11	T241 G13
2305 C3	3368 B11	T251 C8
2306 D3	3369 B11	T259 C8
2307 D3	3370 A11	T253 C8
2308 D3	3371 A11	T254 C8
2309 D3	3372 B11	T255 C8
2311 G3	3373 B11	T256 C8
2312 G3	3374 B11	T257 C8
2315 G5	3375 B11	T258 B8
2316 G5	3376 B11	T259 B8
2317 I5	3377 D11	T260 B8
2318 I6	3378 D11	T261 B8
2319 F5	3379 D11	T262 B8
2320 F5	3380 D12	T263 A8
2321 A6	3381 B11	T264 A8
2322 B6	3391-1 C4	T265 B8
2323 A3	3391-2 C4	T266 B8
2324 H12	3391-3 C4	T267 A8
2325 H12	3391-4 C4	T271 H9
2326 H12	3392-1 B4	T272 H9
2327 H12	3392-2 B4	T273 H9
2328 H11	3392-3 B4	T274 H9
2329 H11	3392-4 B4	T275 I9
2341 D11	3393-1 B6	
2342 D11	3393-2 C6	
2343 D11	3393-3 C6	
2344 D12	3393-4 C6	
2345 D12	3394-1 B6	
2346 D12	3394-2 B6	
2350 C7	3394-3 B6	
2351 C7	3394-4 B6	
2352 C7	3395 A8	
2353 C7	3401 D11	
2354 C7	3402 C11	
2355 C7	3403 C11	
2356 C7	3404 C11	
2357 C7	3405 C11	
2360 D8	3406 C11	
2361 D8	3407 C11	
2362 D8	3408 C11	
2363 A7	3409 C11	
2364 I9	3401 H11	
2365 I9	3411 A11	
2366 A7	4312 A2	
2381 F8	5300 C2	
2391 D5	5301 F3	
2392 D5	5302 F5	
2393 E5	5303 F6	
2394 E5	5304 E5	
2395 D6	5306 A6	
3301-1 E1	5307 B6	
3301-2 E1	5308 F8	
3301-3 F1	5321 B8	
3301-4 F1	5322 B8	
3302-1 D1	5323 H8	
3302-2 E1	5340 D7	
3302-3 E1	5341 D7	
3302-4 E1	5342 H8	
3303-2 D1	5343 H8	
3303-3 D1	5344 C11	
3303-4 D1	5345 C11	
3304-1 D1	5346 C6	
3304-2 D1	7301 B1	
3304-3 D1	7302 E3	
3304-4 D1	7303 G2	
3305-1 E1	7304 F5	
3305-2 E1	7306 A2	
3305-3 E1	7307 A6	
3305-4 E1	7308 B5	
3306 E1	7310 E9	
3310 B3	7311 C5	
3311 B3	T200 D13	
3312 B2	T201 A12	
3313 C2	T202 B12	
3314 G7	T203 B12	
3315 H7	T204 B12	
3316 E8	T205 B12	
3317 F8	T206 B12	
3324 A11	T207 B12	
3325 I1	T208 B12	
3326 H3	T209 C12	
3327 H8	T210 C12	
3328 H8	T211 C12	
3335 G4	T212 C12	
3336 H5	T213 C12	
3337 I6	T214 C12	
3338 H5	T215 C12	
3340 H11	T216 C12	
3341 G11	T217 C12	
3342 G7	T218 C12	
3343 F7	T219 D12	
3344 F7	T220 F12	
3345 G11	T221 F12	
3346 G11	T222 F12	
3347 H11	T223 F12	
3348 H5	T224 F12	
3349 G11	T225 F12	
3350 H11	T226 F13	
3352 A7	T227 G12	
3353 A5	T228 G12	
3354 A1	T229 G12	
3355 A3	T230 G12	
3356 A6	T231 G12	
3357 D7	T232 G12	

SD6.3 Mono Board Layout - Top View



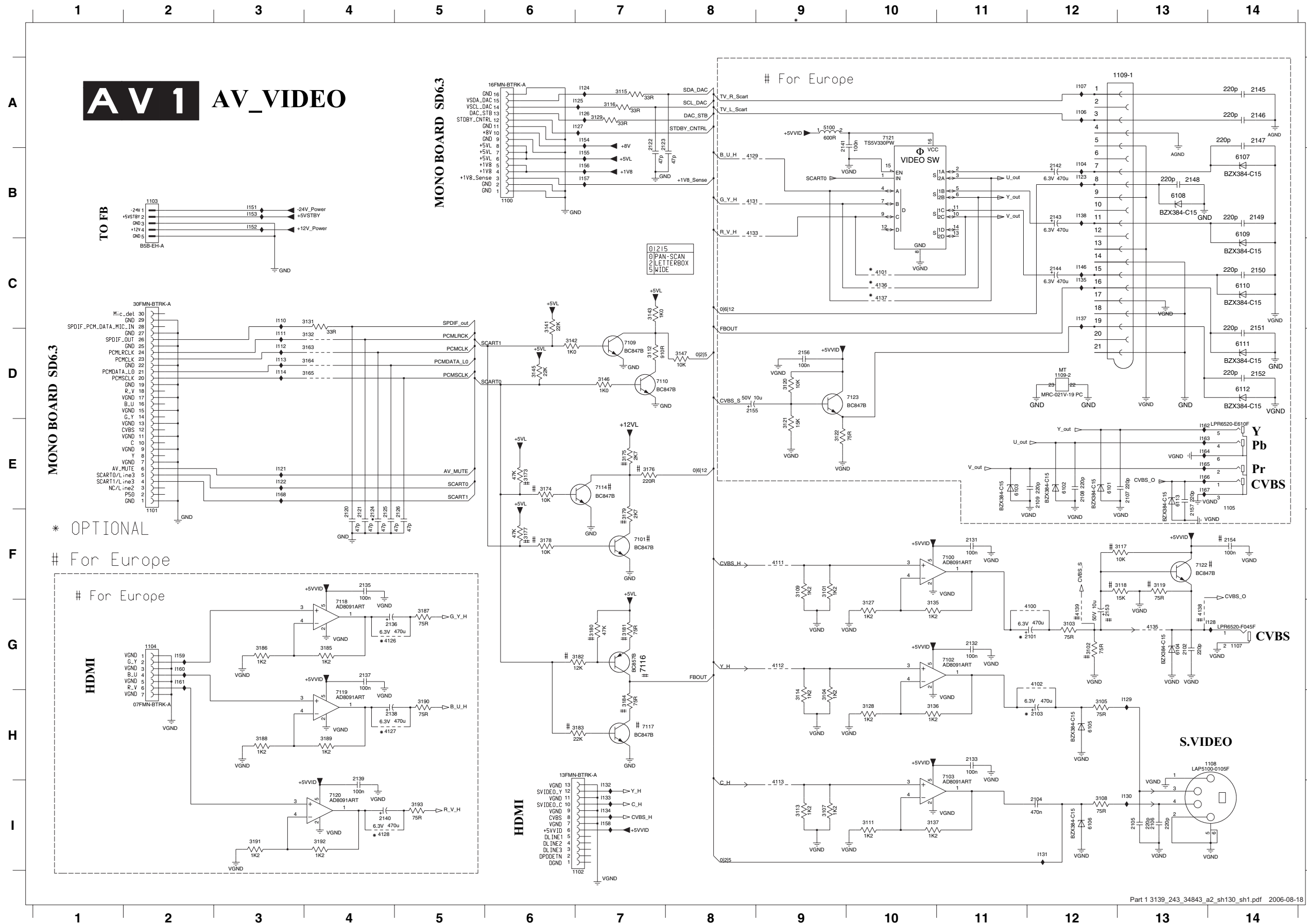
1101	B2	2320	C2	3363	C2	7306	C1
1102	A2	2323	C1	3364	C2	7307	B1
1103	A2	2381	C1	3365	C2	7308	B1
1104	A2	2391	A1	3366	C2	7310	C1
1105	A1	2392	A2	3367	C2	7311	B1
1107	A2	2393	C1	3368	C2		
1108	A2	2394	C2	3369	C2		
1109	B2	3101	A1	3370	C2		
1110	A2	3102	A1	3371	C2		
1111	A1	3103	A1	3372	C2		
1112	A2	3104	A1	3373	C2		
1151	A1	3138	B1	3374	C2		
1152	A2	3139	B1	3375	C2		
1153	A2	3140	B1	3376	C2		
1301	C1	3141	B1	3381	C2		
1302	C2	3142	B2	3391	B1		
1303	C2	3143	B2	3392	B1		
1304	B1	3145	C2	3393	B1		
1305	A2	3149	B2	3394	B1		
2101	A2	3150	B2	3401	C2		
2103	A2	3151	B2	3402	C2		
2105	B2	3152	B2	3403	C2		
2107	C2	3153	A2	3404	C2		
2126	B1	3154	A2	3405	C2		
2130	A1	3156	A2	3406	C2		
2138	B2	3157	A2	3407	C2		
2141	A2	3158	B2	3408	C2		
2145	A2	3159	B2	3409	C2		
2149	B2	3209	B1	4101	A2		
2151	B1	3301	A1	4102	A2		
2153	B2	3302	A1	4115	B2		
2154	B2	3303	A1	4116	B2		
2156	B2	3304	B1	4117	B2		
2157	B2	3305	B1	4118	B2		
2159	B2	3306	B1	4119	B2		
2161	B2	3310	C1	4122	A2		
2162	B2	3311	C1	4131	B2		
2163	B2	3312	C1	4132	B1		
2165	B2	3313	C1	4137	B2		
2166	B2	3314	C1	4311	C1		
2169	B2	3315	C1	4312	C1		
2171	B2	3316	C1	5123	A2		
2174	C2	3317	C1	5130	B2		
2175	C2	3324	C2	5300	A1		
2180	B2	3335	C1	5302	C2		
2182	B2	3336	C1	5303	C2		
2184	A2	3337	C2	5305	C1		
2186	B2	3338	C2	5308	C1		
2187	B2	3340	C1	5344	C2		
2188	B2	3341	C1	5345	C2		
2189	B2	3342	C2	7101	A2		
2190	B2	3343	C2	7102	A1		
2193	C2	3344	C2	7104	A2		
2195	C2	3345	C1	7106	C2		
2196	B2	3346	C1	7107	B2		
2202	B2	3347	C1	7108	B2		
2203	A2	3348	C2	7109	B2		
2204	A2	3349	C1	7110	B2		
2210	A2	3350	C1	7111	A2		
2301	C1	3352	B1	7112	B2		
2302	A1	3353	B1	7121	A2		
2311	A2	3354	C1	7131	A1		
2315	C1	3355	C1	7132	A1		
2316	C1	3356	B1	7301	C1		
2317	C2	3357	A1	7302	A1		
2318	C2	3361	C2	7303	A2		
2319	C2	3362	C2	7304	C2		

SD6.3 Mono Board Layout - Bottom View



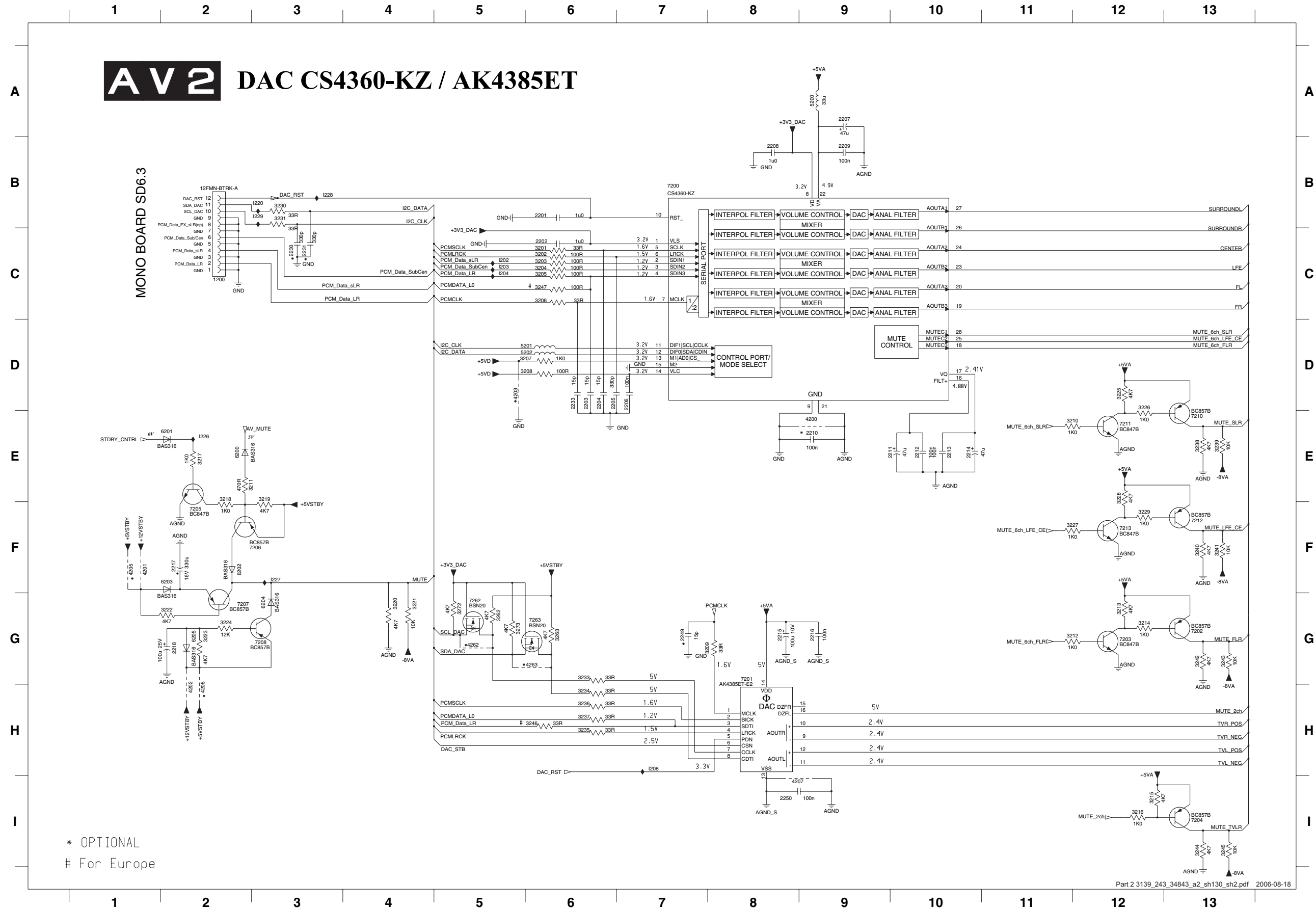
2102	A1	2248	A2	3166	A1	5104	C1
2104	A1	2249	A2	3167	A1	5105	A2
2106	B1	2250	A1	3168	A1	5106	A1
2108	C1	2261	A1	3171	A1	5107	B2
2111	A1	2303	A2	3172	A1	5108	A2
2112	A1	2304	A2	3173	A1	5109	B1
2113	A1	2305	A2	3174	A1	5111	A1
2116	A1	2306	A2	3175	A1	5112	A1
2117	A2	2307	A2	3176	A1	5115	B1
2118	A2	2308	A2	3177	A1	5116	B1
2119	B2	2309	A2	3178	A1	5117	B1
2120	B2	2312	A1	3181	B2	5118	B1
2121	B2	2321	B2	3182	B2	5119	B1
2122	B1	2322	B2	3183	C2	5122	B1
2123	B1	2324	C2	3184	C2	5124	C1
2127	B2	2325	C2	3185	C2	5125	B1
2131	A1	2326	C2	3186	C2	5126	B1
2132	A1	2327	C2	3191	B2	5131	B2
2133	A2	2328	C2	3192	B2	5132	B2
2134	B2	2329	C2	3193	C2	5133	C2
2135	B2	2341	C1	3194	C2	5134	C2
2136	B1	2342	C1	3195	C2	5135	C2
2139	B1	2343	C1	3196	C2	5136	C2
2142	A1	2344	C1	3201	A1	5301	A1
2146	A1	2345	C1	3202	A1	5306	B2
2150	A2	2346	C1	3203	A1	5307	B2
2152	B1	2350	A2	3204	A1	5321	A2
2155	B1	2351	A2	3205	A1	5322	A2
2158	B1	2352	A2	3206	A1	5323	A1
2164	B1	2353	B2	3207	A1	5340	A2
2167	B1	2354	B2	3208	A1	5341	A2
2168	B1	2355	B2	3325	A1	5342	A1
2172	B1	2356	B2	3326	A1	5343	A1
2173	B1	2357	B2	3327	A1	5346	B2
2181	B1	2360	A2	3328	A1	7103	A1
2183	B1	2361	A2	3358	C2	7122	A1
2185	B1	2362	A2	3359	C2	7133	A2
2191	B1	2363	B2	3377	C1	7134	A2
2194	B1	2364	A1	3378	C1	7135	A2
2198	B1	2365	A1	3379	C1		
2201	B1	2366	B2	3380	C1		
2207	A1	2395	B2	3398	B2		
2208	A1	3107	A1	4106	A1		
2209	A1	3108	A1	4123	A1		
2211	A1	3110	A1	4124	A1		
2212	A1	3111	A1	4133	A2		
2213	A1	3114	A2	4134	A2		
2214	A1	3115	A2	4135	A2		
2215	A1	3117	A1	4136	B2		
2216	A1	3119	A1	4140	A1		
2221	B2	3125	A1	4141	B2		
2222	B2	3131	A2	4142	B1		
2223	B2	3132	A1	4143	B2		
2224	B2	3133	A2	4144	B2		
2225	B2	3134	A2	4145	C2		
2226	C2	3135	B2	4146	C2		
2227	C1	3136	A2	4151	A1		
2228	C2	3144	B1	4152	A1		
2229	C1	3146	B1	4153	A1		
2230	C2	3147	C1	4154	A1		
2231	C1	3148	C1	4155	A1		
2232	C2	3155	A1	4156	A1		
2241	A2	3161	A1	4157	A1		
2242	A2	3162	A1	4158	A1		
2243	A2	3163	A1	4301	A1		
2245	A2	3164	A1	5101	A1		
2247	A2	3165	A1	5103	B1		

AV Board Circuit Diagram - Part 1



1100 B6	4126 G4
1101 E2	4127 H4
1102 I7	4128 I4
1103 B2	4129 B8
1104 G2	4131 B8
1105 E4	4133 B8
1107 G14	4135 G13
1108 H14	4136 C10
1109-1 A12	4137 C10
1109-2 D12	4138 G13
2101 G12	4139 G12
2102 G13	5100 A9
2103 H12	6101 E32
2104 H12	6102 E12
2105 I13	6103 E11
2106 I13	6104 G13
2107 E13	6105 H12
2108 E12	6106 I12
2109 E12	6107 B14
2120 F4	6108 B13
2121 F4	6109 B14
2122 A7	6110 C14
2123 A7	6111 D14
2124 F4	6112 D14
2125 F4	6113 E13
2126 F5	7100 F11
2131 F11	7101 F7
2132 G11	7102 G11
2133 H11	7103 H11
2135 F4	7108 D7
2136 G4	7110 D7
2137 G4	7114 E7
2138 H4	7116 G7
2139 I4	7117 H7
2140 I4	7118 G4
2141 A9	7119 H4
2142 B12	7120 I4
2143 B12	7121 A10
2144 C12	7122 F13
2145 A14	7123 D10
2146 A14	1104 B12
2147 A14	1106 A12
2148 B13	1107 A12
2149 B14	1110 C3
2150 C14	1111 D3
2151 D14	1112 D3
2152 D14	1113 D3
2153 G12	1114 D3
2154 F14	1121 E3
2155 D8	1122 E3
2156 D9	1123 B12
2157 F13	1124 A7
3101 F9	1125 A7
3102 G12	1126 A7
3103 G12	1127 A7
3104 H9	1128 G14
3105 H12	1129 H13
3107 I9	1130 I13
3108 I12	1131 I12
3109 F9	1132 I7
3111 I10	1133 I7
3112 D7	1134 I7
3113 I9	1135 C12
3114 H9	1137 C12
3115 A7	1138 B12
3116 A7	1146 C12
3117 F13	1151 B3
3118 F13	1152 B3
3119 F13	1153 B3
3120 D9	1154 A7
3121 E9	1155 B7
3122 E9	1156 B7
3127 G10	1157 D7
3128 H10	1158 I7
3129 A7	1159 G2
3131 C4	1160 G2
3132 D4	1161 G2
3135 G10	1162 E13
3136 H10	1163 E13
3137 I10	1164 E13
3141 C6	1165 E13
3142 D6	1166 E13
3143 C7	1167 E13
3145 D6	1168 E3
3146 D7	
3147 D8	
3163 D4	
3164 D4	
3165 D4	
3173 E9	
3174 E9	
3175 E7	
3176 E7	
3177 F6	
3178 F6	
3179 F7	
3180 G7	
3181 G7	
3182 G7	
3183 H7	
3184 H7	
3185 G4	
3186 G3	
3187 G5	
3188 H3	
3189 H4	
3190 H5	
3191 I3	
3192 I4	
3193 I5	
4100 G12	
4101 C10	
4102 G12	
4111 F9	
4112 G9	
4113 I9	

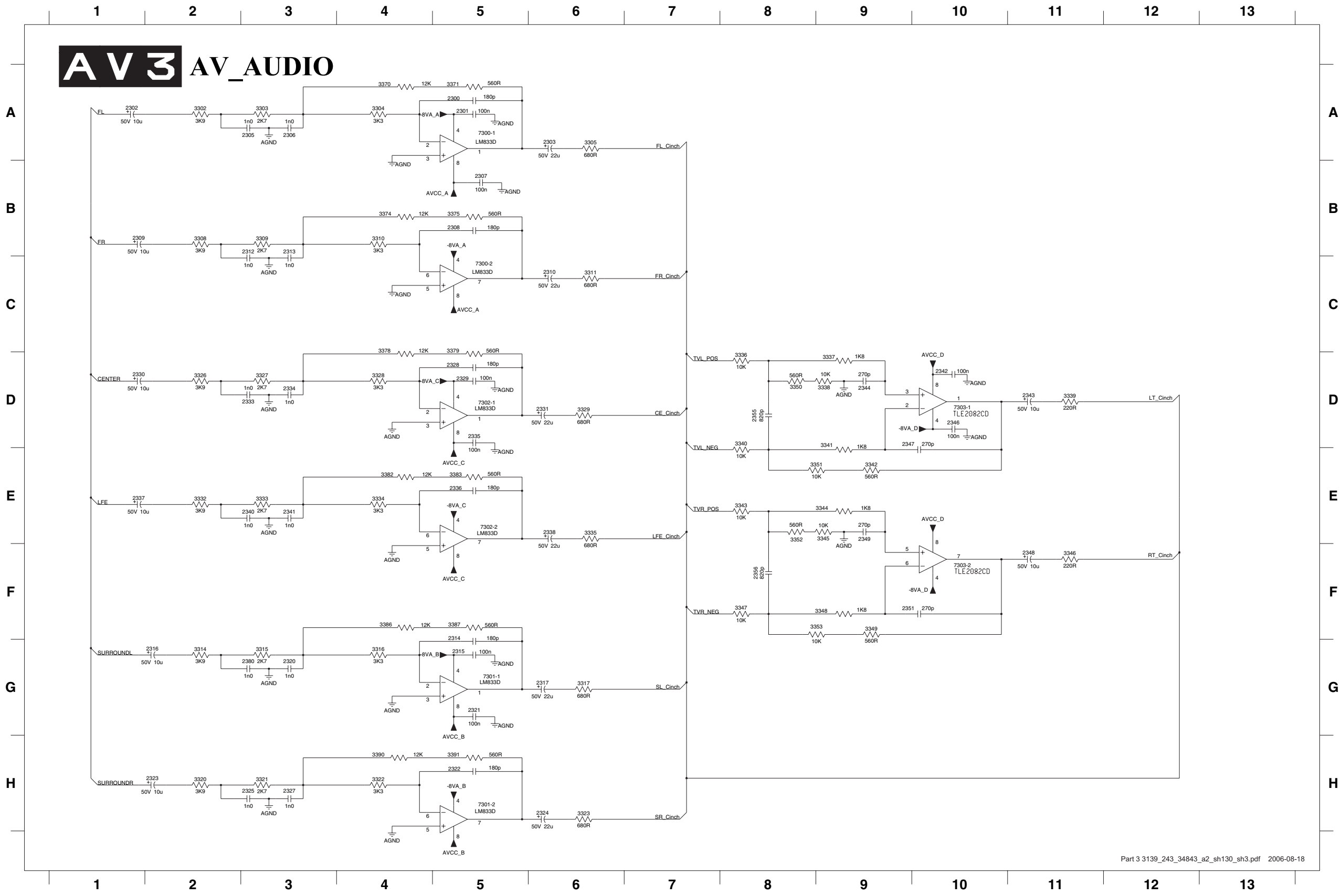
AV Board Circuit Diagram - Part 2



- 1200 C2
- 2201 B6
- 2202 C6
- 2203 D6
- 2204 D6
- 2205 D6
- 2206 D7
- 2207 A9
- 2208 B8
- 2209 B9
- 2210 E9
- 2211 E10
- 2212 E10
- 2213 E10
- 2214 E10
- 2215 G8
- 2216 G9
- 2217 F2
- 2218 G2
- 2230 C3
- 2231 C3
- 2233 D6
- 2240 G7
- 2250 B3
- 3201 C6
- 3202 C6
- 3203 C6
- 3204 C6
- 3205 C6
- 3206 C6
- 3207 D6
- 3208 D6
- 3209 G8
- 3210 E11
- 3211 E2
- 3212 G11
- 3213 G12
- 3214 G12
- 3215 I12
- 3216 I12
- 3217 E2
- 3218 E2
- 3219 E3
- 3220 G4
- 3221 G4
- 3222 G2
- 3223 G2
- 3224 G2
- 3225 D12
- 3226 D12
- 3227 F11
- 3228 E12
- 3229 F12
- 3230 B3
- 3231 B3
- 3232 G6
- 3233 G6
- 3234 H6
- 3235 H6
- 3236 H6
- 3237 H6
- 3238 E13
- 3239 E13
- 3240 F13
- 3241 F13
- 3242 G13
- 3243 G13
- 3244 I13
- 3245 H6
- 3246 H6
- 3247 C6
- 3262 G5
- 3263 G6
- 3272 G5
- 3273 G5
- 4200 E9
- 4201 F1
- 4202 H2
- 4203 D5
- 4205 F1
- 4206 H2
- 4207 H8
- 4262 G5
- 5200 A9
- 5201 D6
- 5202 D6
- 6200 E2
- 6201 E2
- 6202 F2
- 6203 G3
- 6204 G3
- 6205 G2
- 7200 B7
- 7201 G8
- 7202 G13
- 7203 G12
- 7204 I13
- 7205 F2
- 7206 F2
- 7207 G2
- 7208 G3
- 7210 E13
- 7211 E12
- 7212 F13
- 7213 F12
- 7262 G5
- 7263 G6
- I202 C5
- I203 C5
- I204 C5
- I208 H7
- I220 B3
- I226 E2
- I227 F3
- I228 B3
- I229 B3

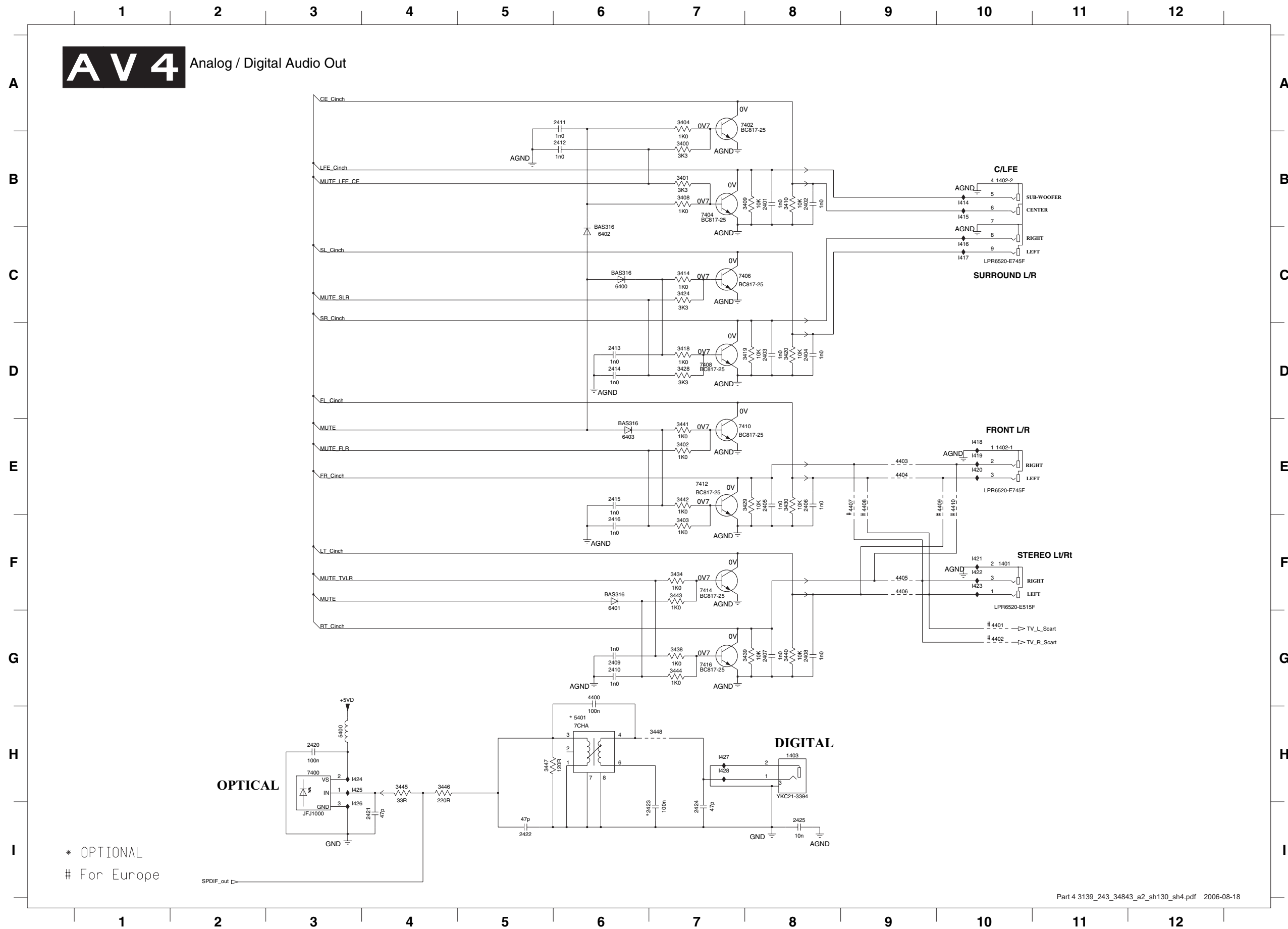
* OPTIONAL
For Europe

AV Board Circuit Diagram - Part 3



- 2300 A5
- 2301 A5
- 2302 A1
- 2303 A6
- 2305 A3
- 2306 A3
- 2307 B5
- 2308 B5
- 2309 B1
- 2310 C6
- 2312 B3
- 2313 B3
- 2314 G5
- 2315 G5
- 2316 G2
- 2317 G6
- 2320 G3
- 2321 G5
- 2322 H5
- 2323 H2
- 2324 H6
- 2325 H3
- 2327 H3
- 2328 D5
- 2329 D5
- 2330 D1
- 2331 D6
- 2333 D3
- 2334 D3
- 2335 D5
- 2336 E5
- 2337 E1
- 2338 E6
- 2340 E3
- 2341 E3
- 2342 D10
- 2343 D11
- 2344 D9
- 2346 D10
- 2347 D9
- 2348 F11
- 2349 E9
- 2351 F9
- 2355 D8
- 2356 F8
- 2380 G3
- 3302 A2
- 3303 A3
- 3304 A4
- 3305 A6
- 3308 B2
- 3309 B3
- 3310 B4
- 3311 C6
- 3314 G2
- 3315 G3
- 3316 G4
- 3317 G6
- 3320 H2
- 3321 H3
- 3322 H4
- 3323 H6
- 3326 D2
- 3327 D3
- 3328 D4
- 3329 D6
- 3332 E2
- 3333 E3
- 3334 E4
- 3335 E6
- 3336 D8
- 3337 D9
- 3338 D11
- 3340 D8
- 3341 D9
- 3342 E9
- 3343 E8
- 3344 E9
- 3345 E9
- 3346 F11
- 3347 F8
- 3348 F9
- 3349 F9
- 3350 D8
- 3351 E9
- 3352 E8
- 3353 F9
- 3370 A4
- 3371 A5
- 3374 B4
- 3375 B5
- 3378 D4
- 3379 D5
- 3382 E4
- 3383 E5
- 3386 F4
- 3387 F5
- 3390 H4
- 3391 H5
- 7300-1 A5
- 7300-2 C5
- 7301-1 G5
- 7301-2 H5
- 7302-1 D5
- 7302-2 E5
- 7303-1 D10
- 7303-2 F10

AV Board Circuit Diagram - Part 4



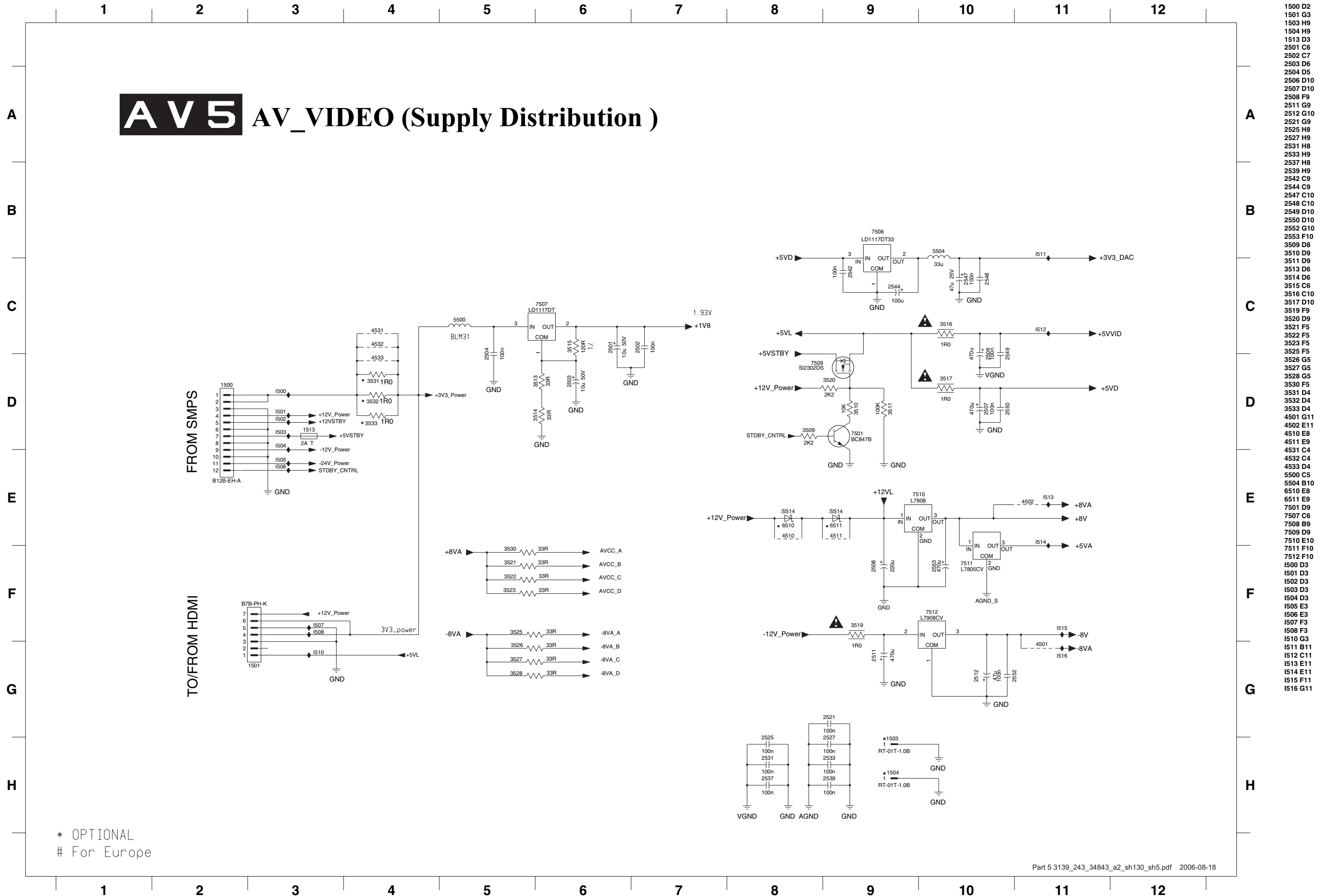
- 1401 F10
- 1402-1 E10
- 1402-2 B10
- 1403 H8
- 2401 B8
- 2402 B8
- 2403 D8
- 2404 D8
- 2405 E8
- 2406 E8
- 2407 G8
- 2408 G8
- 2409 G6
- 2410 G6
- 2411 A6
- 2412 B6
- 2413 D6
- 2414 D6
- 2415 E6
- 2416 F6
- 2420 H3
- 2421 I4
- 2422 I5
- 2423 I7
- 2424 I7
- 2425 I8
- 3400 B7
- 3401 B7
- 3402 E7
- 3403 F7
- 3404 A7
- 3408 B7
- 3409 B8
- 3410 B8
- 3414 C7
- 3418 D7
- 3419 D8
- 3420 D8
- 3424 C7
- 3428 D7
- 3429 E8
- 3430 E8
- 3434 F7
- 3438 G7
- 3439 G8
- 3440 G8
- 3441 E7
- 3442 E7
- 3443 F7
- 3444 G7
- 3445 H4
- 3446 H4
- 3447 H5
- 3448 H7
- 4400 G6
- 4401 G10
- 4402 C10
- 4403 E9
- 4404 E9
- 4405 F9
- 4406 F9
- 4407 E9
- 4408 E9
- 4409 E10
- 4410 E10
- 5400 H3
- 5401 H6
- 6400 C6
- 6401 F6
- 6402 C6
- 6403 E6
- 7400 H3
- 7402 A7
- 7404 B7
- 7406 C7
- 7408 D7
- 7410 E7
- 7412 E7
- 7414 F7
- 7416 G7
- 1414 B10
- 1415 B10
- 1416 C10
- 1417 C10
- 1418 E10
- 1419 E10
- 1420 E10
- 1421 F10
- 1422 F10
- 1423 F10
- 1424 H3
- 1425 H3
- 1426 I3
- 1427 H7
- 1428 H7

AV 4 Analog / Digital Audio Out

* OPTIONAL
For Europe

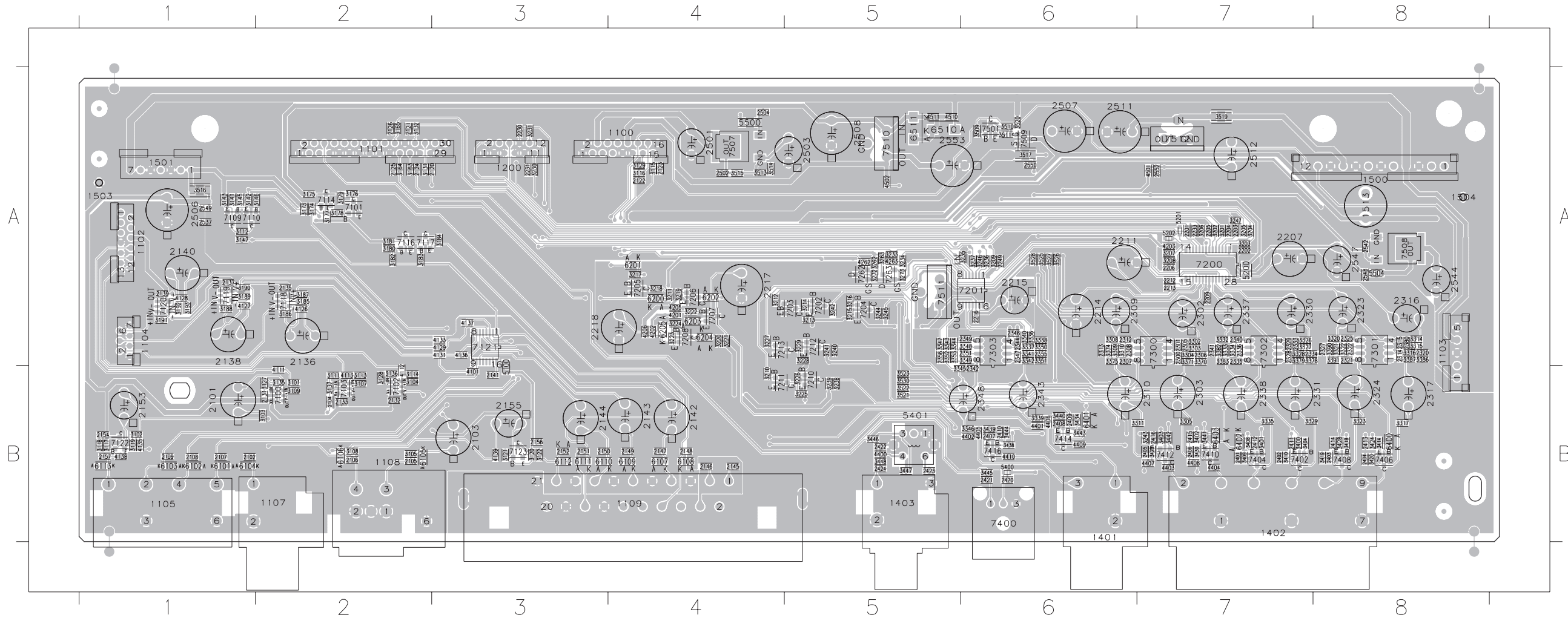
AV Board Circuit Diagram - Part 5

AV5 AV_VIDEO (Supply Distribution)

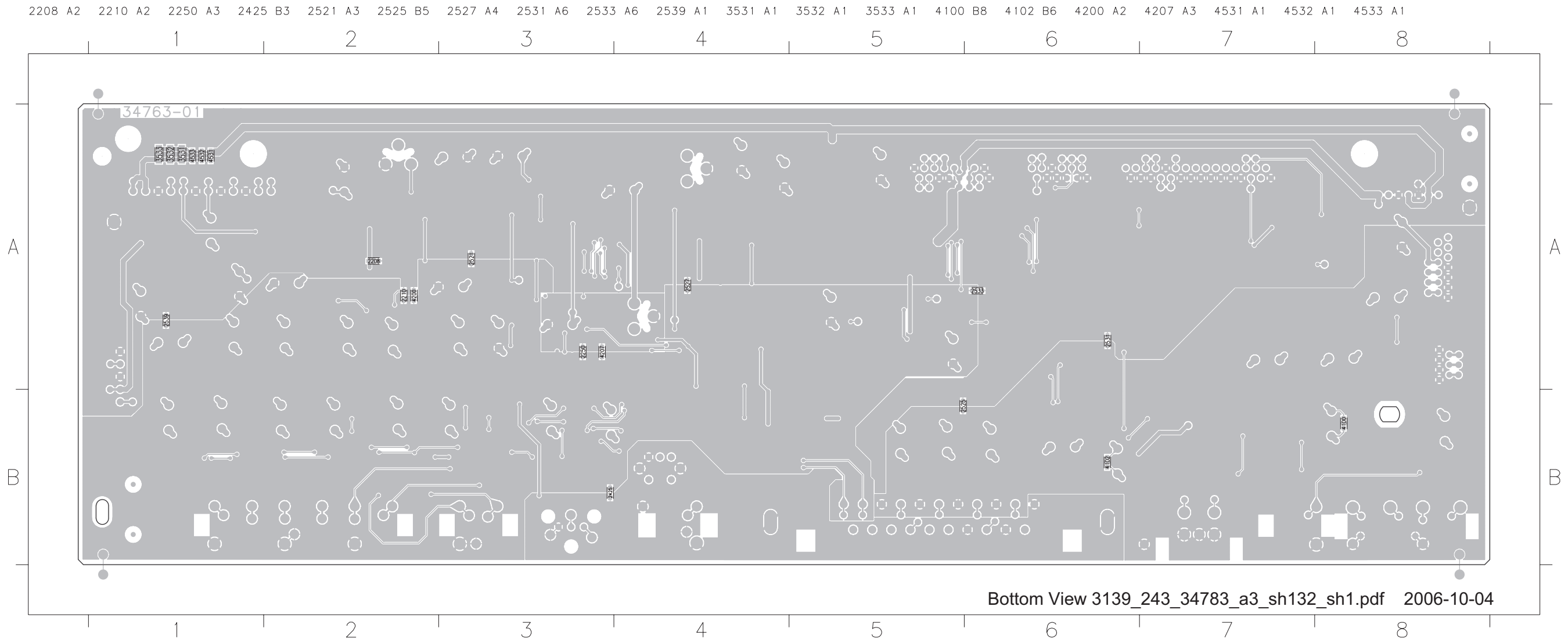


AV Board Layout - Top View

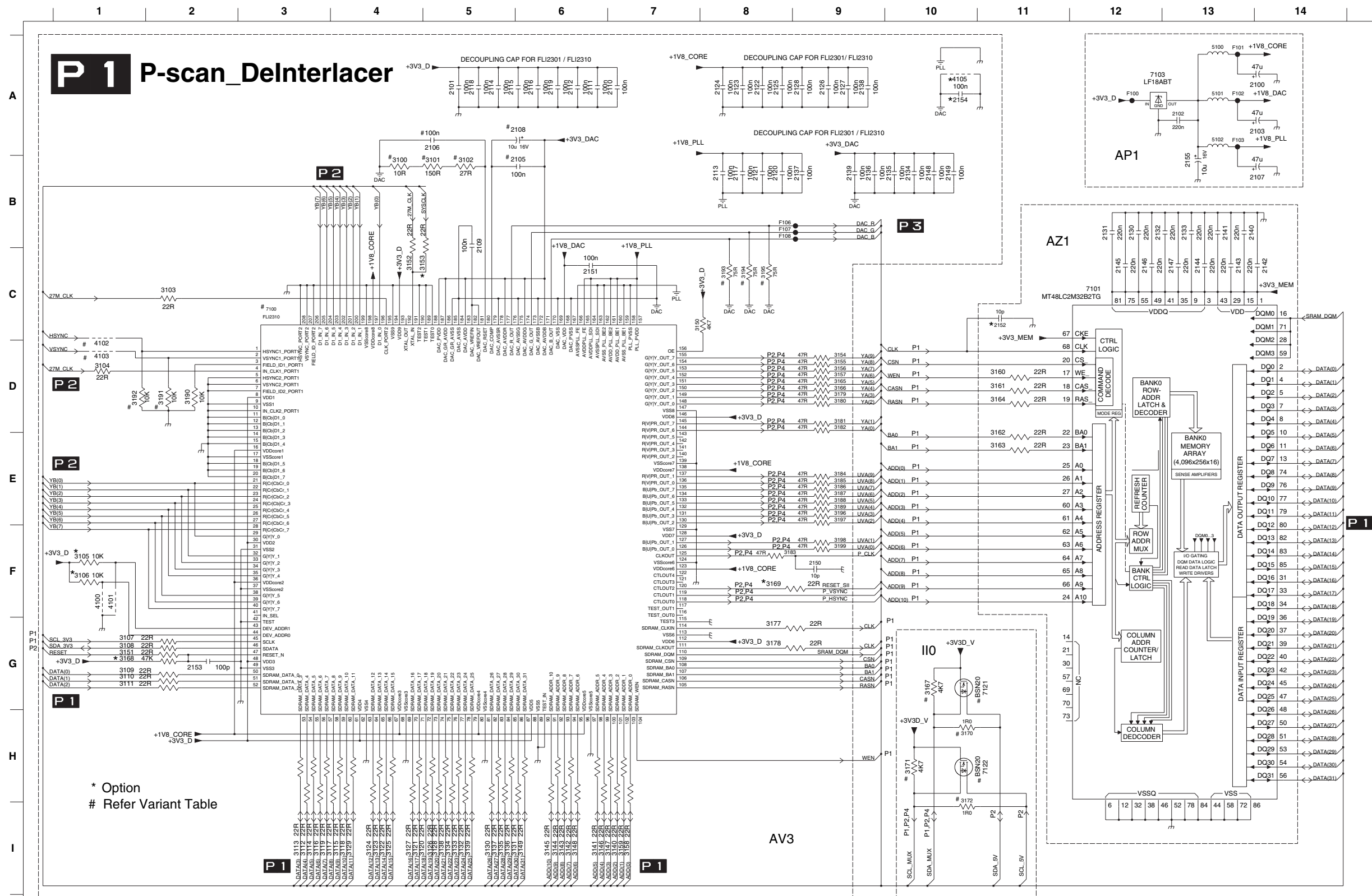
1100 A4	2106 B2	2144 B3	2212 A7	2314 A8	2342 B6	2413 B8	2549 A1	3122 B3	3178 A2	3208 A7	3231 A3	3305 B7	3338 A6	3383 A7	3439 B6	3525 A6	4205 A4	5400 B6	6400 B8	7202 A5	7412 B7
1101 A2	2107 B1	2145 B4	2213 A7	2315 A8	2343 B6	2414 B8	2550 A6	3127 B2	3179 A2	3209 A6	3233 A5	3308 A6	3339 B6	3386 A8	3440 B6	3526 A6	4206 A4	5401 B5	6401 B6	7203 A5	7414 B6
1102 A1	2108 B1	2146 B4	2214 A6	2316 A8	2344 A6	2415 B7	2552 A7	3128 B2	3180 A2	3210 B4	3234 A5	3309 A6	3340 A6	3387 A8	3441 B7	3527 A6	4262 A5	5500 A4	6402 B7	7204 A5	7416 B6
1103 A8	2109 B1	2147 B4	2215 A6	2317 B8	2346 A6	2416 B7	2553 A5	3129 A4	3181 A2	3211 A4	3235 A5	3310 A6	3341 A6	3390 A8	3442 B7	3528 A6	4263 A5	5504 A8	6403 B7	7205 A4	7501 A6
1104 A1	2120 A3	2148 B4	2216 A6	2320 A8	2347 A6	2420 B6	3101 B1	3131 A2	3182 A2	3212 A4	3236 A6	3311 B7	3342 A6	3391 A8	3443 B6	3530 B5	4400 B5	6101 B1	6510 A5	7206 A4	7507 A4
1105 B1	2121 A2	2149 B4	2217 A4	2321 A8	2348 B6	2421 B6	3102 B1	3132 A2	3183 A2	3213 A5	3237 A6	3314 A8	3343 A5	3400 B7	3444 B6	4101 B3	4401 B6	6102 B1	6511 A5	7207 A4	7508 A8
1107 B2	2122 A4	2150 B3	2218 A3	2322 A8	2349 A6	2422 B5	3103 B2	3133 A2	3184 A3	3214 A5	3238 B5	3315 A8	3344 A5	3401 B7	3445 B6	4111 B2	4402 B6	6103 B1	6510 B2	7100 B2	7208 A4
1108 B2	2123 A4	2151 B3	2230 A3	2323 A8	2351 A6	2423 B5	3104 B2	3136 B2	3185 A2	3215 A5	3239 B5	3316 A8	3345 B5	3402 B7	3446 B5	4112 B2	4403 B7	6104 B1	6511 A5	7101 A2	7210 B5
1109 A4	2124 A2	2152 B3	2231 A3	2324 B8	2355 A5	2424 B5	3105 B2	3137 B2	3186 A2	3216 A5	3240 A5	3317 B8	3346 B6	3403 B7	3447 B5	4113 B2	4404 B7	6105 B2	6510 B2	7102 B2	7211 B4
1200 A3	2125 A2	2153 B1	2233 A7	2325 A8	2356 A5	2501 A4	3107 B2	3141 A1	3187 A2	3217 A4	3241 A5	3320 A8	3347 A5	3404 B7	3448 B5	4126 A2	4405 B6	6106 B2	6511 A5	7103 B2	7212 A5
1401 B6	2126 A2	2154 B1	2249 A6	2327 A8	2380 A8	2502 A4	3108 B2	3142 A1	3188 A1	3218 A4	3242 A5	3321 A8	3348 A6	3408 B7	3449 A6	4127 A1	4406 B6	6107 B4	6510 A7	7109 A1	7213 A4
1402 B7	2131 B2	2155 B3	2300 A7	2328 A7	2401 B7	2503 A5	3109 B2	3143 A1	3189 A1	3219 A4	3243 B7	3322 A8	3349 A6	3409 B7	3450 A6	4128 A1	4407 B7	6108 B4	6511 A5	7110 A1	7262 A5
1403 B5	2132 B2	2156 B3	2301 A7	2329 A7	2402 B7	2504 A4	3111 B2	3145 A1	3190 A1	3220 A4	3244 A5	3323 B8	3350 A6	3410 B7	3451 A6	4129 A3	4408 B7	6109 B4	6511 A5	7114 A2	7263 A5
1500 A8	2133 B2	2157 B1	2302 A7	2330 A7	2403 B8	2506 A1	3112 A1	3146 A2	3191 A1	3221 A4	3245 A5	3326 A7	3351 A6	3414 B8	3452 A6	4131 A3	4409 B6	6110 B3	6511 A5	7116 A2	7300 A7
1501 A1	2135 A2	2201 A7	2303 B7	2331 B8	2404 B8	2507 A6	3113 B2	3147 A1	3192 A1	3222 A4	3246 A6	3327 A7	3352 A5	3418 B8	3453 A5	4133 A3	4410 B6	6111 B3	6511 A5	7117 A2	7301 A8
1503 A1	2136 A2	2202 A7	2305 A7	2333 A7	2405 B7	2508 A5	3114 B2	3148 A2	3193 A1	3223 A4	3247 A7	3328 A7	3353 A5	3419 B8	3454 A4	4135 B1	4501 A7	6112 B3	6511 A5	7118 A2	7302 A7
1504 A8	2137 A1	2203 A7	2306 A7	2334 A7	2406 B7	2511 A6	3115 A4	3164 A2	3201 A7	3224 A4	3262 A5	3329 B7	3370 A7	3420 B8	3455 A4	4136 A3	4502 A5	6113 B1	6511 A5	7119 A1	7303 A6
1513 A8	2138 A1	2204 A7	2307 A6	2335 A7	2407 B6	2512 A7	3116 A4	3165 A2	3202 A7	3225 B5	3263 A5	3332 A7	3371 A7	3424 B8	3456 A6	4137 A3	4510 A5	6200 A4	6511 A5	7120 A1	7400 B6
2101 B1	2139 A1	2205 A7	2308 A6	2336 A7	2408 B6	2537 A1	3117 B1	3173 A2	3203 A7	3226 B5	3272 A5	3333 A7	3372 A6	3428 B8	3457 A7	4138 B1	4511 A5	6201 A4	6511 A5	7121 A3	7402 B7
2102 B1	2140 A1	2206 A7	2309 A6	2337 A7	2409 B6	2542 A8	3118 B1	3174 A2	3204 A7	3227 A4	3273 A5	3334 A7	3373 A6	3429 B7	3458 A6	4139 B3	5100 B3	6202 A4	6511 A5	7122 B1	7404 B7
2103 B3	2141 B3	2207 A7	2310 B7	2338 B7	2410 B6	2544 A8	3119 B1	3175 A2	3205 A7	3228 A5	3274 A5	3335 B7	3374 A7	3430 B7	3459 A7	4201 A4	5200 A7	6203 A4	6511 A5	7123 B3	7406 B8
2104 B2	2142 B4	2209 A7	2312 A6	2340 A7	2411 B7	2547 A8	3120 B1	3176 A2	3206 A7	3229 A5	3275 A5	3336 A6	3375 A7	3434 B6	3460 B6	4202 A4	5201 A7	6204 A4	6511 A5	7200 A7	7408 B8
2105 B2	2143 B4	2211 A6	2313 A6	2341 A7	2412 B7	2548 A8	3121 B3	3177 A2	3207 A7	3230 A3	3304 A7	3337 A6	3382 A7	3438 B6	3523 B5	4203 A7	5202 A7	6205 A4	6511 A5	7201 A6	7410 B7



AV Board Layout - Bottom View



PSCAN HDMI Board Circuit Diagram - Part 1

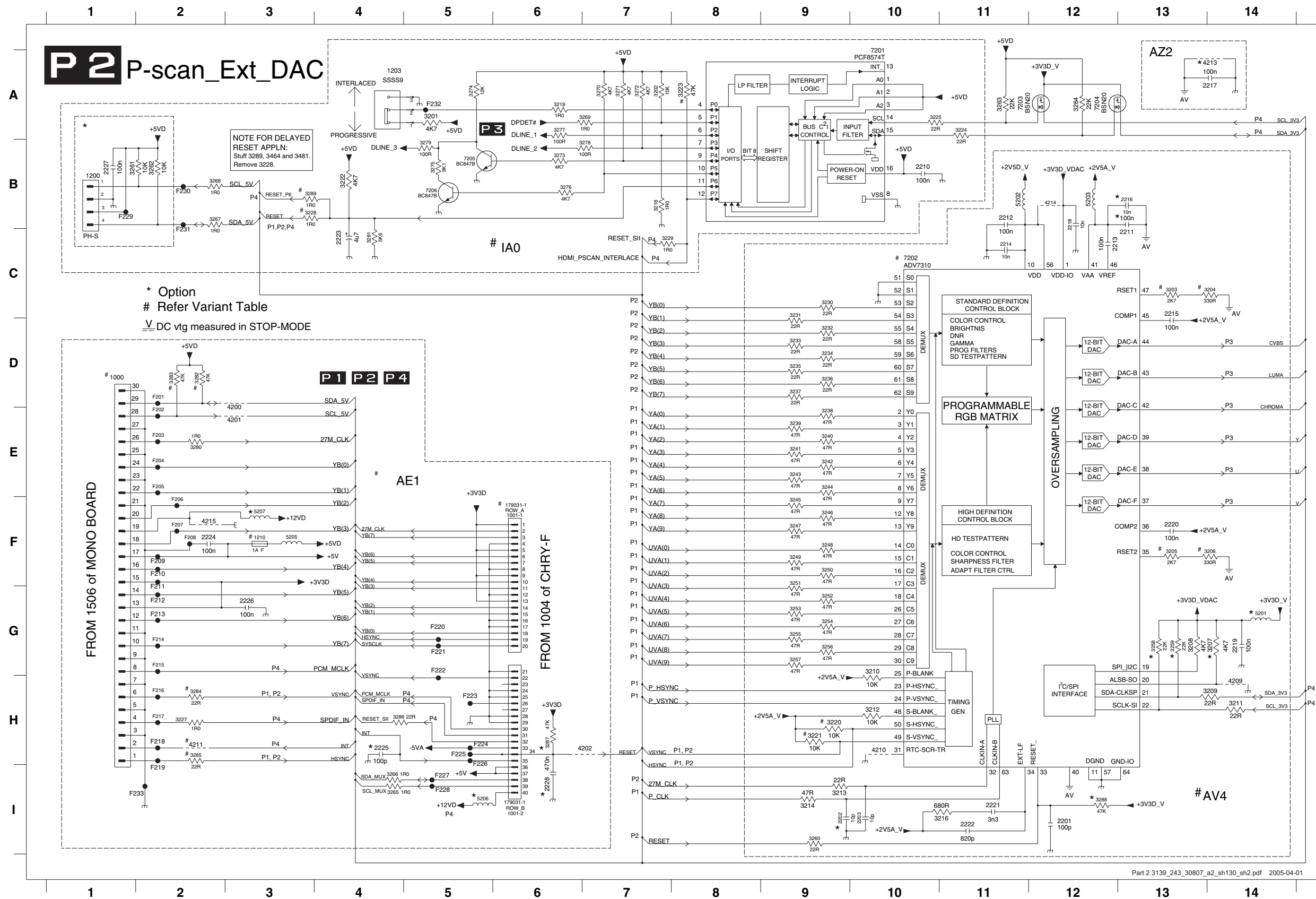


2100 A14	3163 E11
2101 A5	3164 D11
2102 A13	3165 D9
2103 A14	3166 D9
2105 B6	3167 G10
2106 A5	3168 G1
2107 B14	3169 F9
2108 A6	3170 H10
2109 B5	3171 H10
2110 A7	3172 H10
2111 A6	3177 G8
2112 A6	3178 G8
2113 B8	3179 D9
2114 A5	3180 D9
2115 A5	3181 D9
2116 A6	3182 D9
2117 B8	3183 F8
2118 A5	3184 E9
2119 A6	3185 E9
2120 B8	3186 E9
2121 B8	3187 E9
2122 A8	3188 E9
2123 A8	3189 E9
2124 A8	3190 D2
2125 A8	3191 D2
2126 A9	3192 D1
2127 A9	3193 C8
2128 A9	3194 C8
2130 B12	3195 C8
2131 B12	3196 F9
2132 B12	3197 E9
2133 B13	3198 F9
2134 B10	3199 F9
2135 B10	4100 F1
2136 B9	4101 F1
2137 B9	4102 D1
2138 A9	4103 D1
2139 B9	4105 A10
2140 B13	5100 A13
2141 B13	5101 A13
2142 C14	5102 A13
2143 C13	7100 C3
2144 C13	7101 C12
2145 C12	7103 A12
2146 C12	7121 G11
2147 C11	7122 H11
2148 B10	F100 A12
2149 B10	F101 A13
2150 F9	F102 A13
2151 C6	F103 A13
2152 C11	F106 B8
2153 G2	F107 B8
2154 A10	F108 B8
2155 B13	
3100 B4	
3101 B5	
3102 B5	
3103 C2	
3104 D1	
3105 F1	
3106 F1	
3107 G1	
3108 G1	
3109 G1	
3110 G1	
3111 G1	
3112 I3	
3113 I3	
3114 I3	
3115 I4	
3116 I3	
3117 I3	
3118 I4	
3119 I3	
3120 I4	
3121 I4	
3122 I4	
3123 I4	
3124 I4	
3125 I4	
3126 I5	
3127 I4	
3128 I5	
3129 I4	
3130 I5	
3131 I5	
3132 I5	
3133 I5	
3134 I5	
3135 I5	
3136 I5	
3137 I5	
3138 I5	
3139 I5	
3140 I7	
3141 I6	
3142 I6	
3143 I6	
3144 I6	
3145 I6	
3146 I6	
3147 I7	
3148 I6	
3149 I6	
3150 C7	
3151 G1	
3152 C4	
3153 C5	
3154 D9	
3155 D9	
3156 D9	
3157 D9	
3158 I7	
3159 I7	
3160 D11	
3161 D11	
3162 E11	

V DC vtg measured in STOP-MODE

Ref Des	1	2	3	4	5	6	7	8	9	10	11	12	13	14						
Variant	2105	2106	2108	3100	3101	3102	3171	3167	3170	3172	3191	3192	3193	3194	3195	4102	4103	7100	7121	7122
DVDR755	100n	100n	10u 16V	10R	150R	27R	NOT USED	NOT USED	1R0	1R0	10K	10K	75R	75R	75R	NOT USED	NOT USED	FLI2301	NOT USED	NOT USED
YDVS1500	NOT USED	NOT USED	NOT USED	NOT USED	NOT USED	NOT USED	4K7	4K7	NOT USED	NOT USED	10K	10K	NOT USED	NOT USED	NOT USED	NOT USED	NOT USED	FLI2310	NOT USED	BSN20
YDVS2500	NOT USED	NOT USED	NOT USED	NOT USED	NOT USED	NOT USED	NOT USED	0R	0R	10K	10K	NOT USED	NOT USED	NOT USED	NOT USED	NOT USED	NOT USED	FLI2310	NOT USED	NOT USED
YDVC950	NOT USED	NOT USED	NOT USED	NOT USED	NOT USED	NOT USED	4K7	4K7	0R	0R	NOT USED	NOT USED	NOT USED	NOT USED	NOT USED	USED	USED	FLI2310	NOT USED	NOT USED

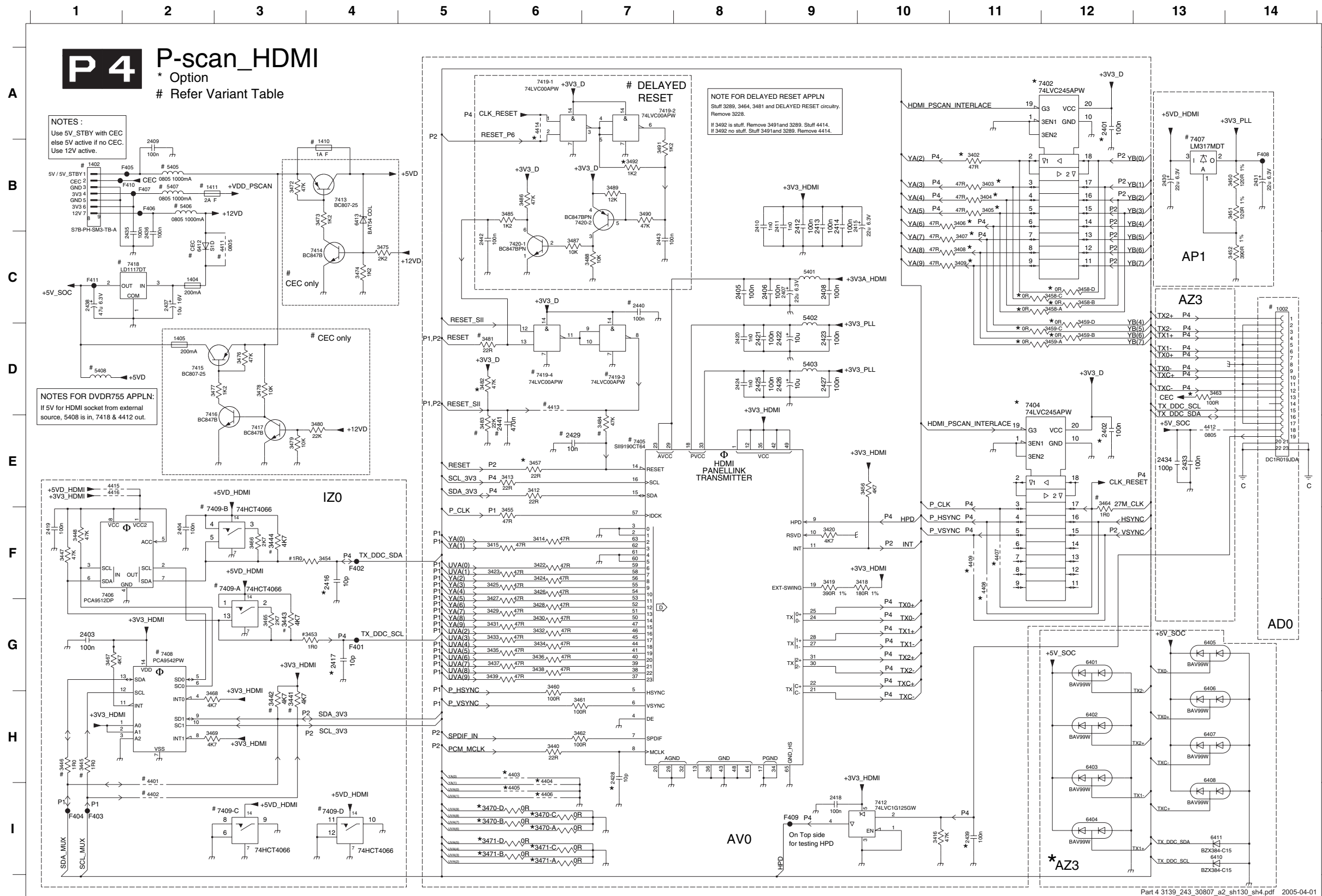
PSCAN HDMI Board Circuit Diagram - Part 2



1000 D1	4200 D3
1001-1 F6	4201 E3
1001-2 I6	4202 H7
1200 B1	4209 H14
1203 A4	4210 H10
1210 F3	4211 H2
2201 I12	4213 A14
2202 I9	4214 B12
2203 I10	4215 F2
2210 B10	5201 G14
2211 C13	5202 B11
2212 B11	5203 B12
2213 C12	5205 F3
2214 C11	5206 I5
2215 C13	5207 F3
2216 B13	7201 A10
2217 A14	7202 C10
2218 B12	7203 A11
2219 G14	7204 A12
2220 F13	7205 B5
2221 H11	7206 B5
2222 H11	7201 D2
2223 C4	F202 E2
2224 F2	F202 E2
2225 H4	F204 E2
2226 G3	F205 E2
2227 B1	F206 F2
2228 I6	F207 F2
3201 A5	F208 F2
3202 A7	F209 F2
3203 C13	F210 F2
3204 C14	F211 G2
3205 F13	F212 G2
3206 F14	F213 G2
3207 G14	F214 G2
3208 G13	F215 G2
3209 H14	F216 H2
3210 G10	F217 H2
3211 H14	F218 H2
F219 I2	F219 I2
3219 I9	F220 G5
3214 I9	F221 G5
3216 I11	F222 G5
3218 B7	F223 H5
3219 A6	F224 H5
3220 H9	F225 H5
3221 H9	F226 H5
3222 B4	F227 I5
3223 A8	F228 I5
3224 A11	F229 B1
3225 A10	F230 B2
3227 H2	F231 C2
3228 B3	F232 A5
3229 C7	F233 I2
3230 C9	
3231 C9	
3232 D9	
3233 D9	
3234 D9	
3235 D9	
3236 D9	
3237 D9	
3238 E9	
3239 E9	
3240 E9	
3241 E9	
3242 E9	
3243 E9	
3244 E9	
3245 F9	
3246 F9	
3247 F9	
3248 F9	
3249 F9	
3250 F9	
3251 F9	
3252 G9	
3253 G9	
3254 G9	
3255 G9	
3256 G9	
3257 G9	
3258 G13	
3259 G13	
3260 I9	
3261 B1	
3262 B2	
3263 A11	
3264 A12	
3265 I4	
3266 I4	
3267 B2	
3268 B2	
3269 A7	
3270 A7	
3271 A7	
3272 A7	
3273 B6	
3274 A5	
3275 B5	
3276 B6	
3277 A6	
3278 B7	
3279 B5	
3280 E2	
3281 C4	
3282 D2	
3283 D2	
3284 H2	
3285 H2	
3286 H4	
3287 H6	
3288 I2	
3289 B3	

Variant	Ref Des	1000	1001	1210	IA0 Block	AV4 Block	7202	3203	3205	3204	3206	3282	3283	3284	3285	3220	3221	3223	3229	4211
DVDR755		NOT USED	USED	F 1A	NOT USED	NOT USED	NOT USED	NOT USED	NOT USED	NOT USED	NOT USED	NOT USED	NOT USED	NOT USED	NOT USED	USED	NOT USED	NOT USED	NOT USED	NOT USED
YDVS1500		USED	NOT USED	1206 0R	USED	USED	ADV7320	2K7		330R		USED	NOT USED	NOT USED	NOT USED	USED	4K7			NOT USED
YDVS2500		USED	NOT USED	1206 0R	USED	USED	ADV7310	2K7		330R		USED	NOT USED	NOT USED	NOT USED	USED	47K			USED
YDVC950		USED	NOT USED	1206 0R	USED	USED	ADV7300	1K5		22R		NOT USED	NOT USED	NOT USED	NOT USED	NOT USED	47K			USED

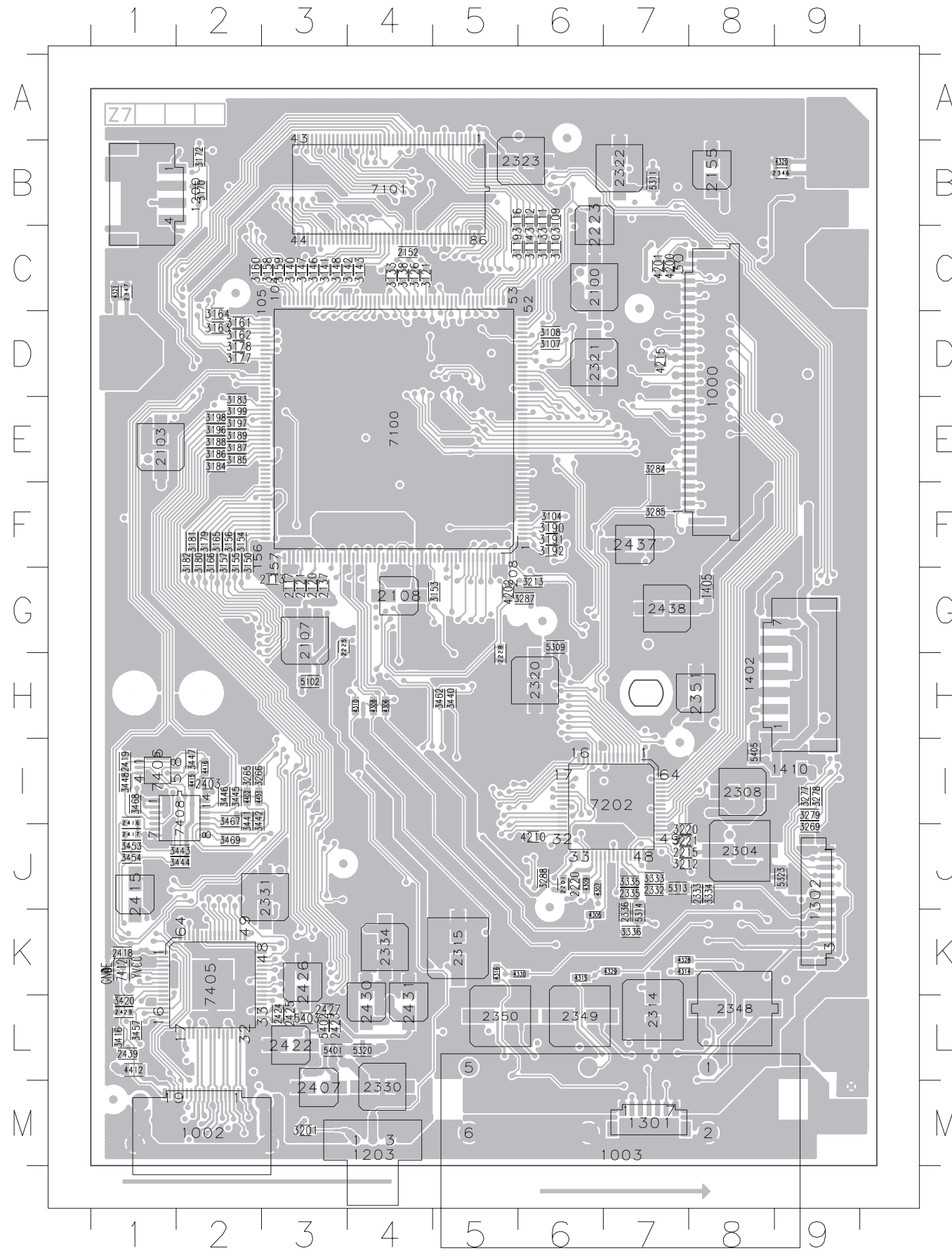
PSCAN HDMI Board Circuit Diagram - Part 4



1002 C14	3466 F3
1402 B1	3467 G1
1404 C2	3468 H2
1405 D2	3469 H2
1410 B4	3470-A 16
1411 B2	3470-B 16
2401 A12	3470-C 16
2402 E12	3470-D 16
2403 G1	3471-A 16
2404 F2	3471-B 16
2405 C8	3471-C 16
2406 C9	3471-D 16
2407 C9	3472 B3
2408 C9	3473 B4
2409 B2	3474 C4
2410 B8	3475 C4
2411 B9	3476 D3
2412 B9	3477 D3
2413 B9	3478 D3
2414 B9	3479 E3
2415 B9	3480 E4
2416 F4	3481 D5
2417 G4	3482 D5
2418 B9	3483 E5
2419 F1	3484 E7
2420 D8	3485 B6
2421 D8	3486 B6
2422 D9	3487 C6
2423 D9	3488 C7
2424 D8	3489 B7
2425 D9	3490 B7
2426 D9	3491 B7
2427 D9	3492 B7
2428 H7	4401 I2
2429 E6	4402 I2
2430 B13	4403 H6
2431 B14	4404 H6
2433 E15	4405 I6
2434 E13	4406 I6
2435 C2	4407 F11
2436 C2	4408 F11
2437 C2	4409 F11
2438 C1	4411 C3
2439 I11	4412 E13
2440 C7	4413 D6
2441 E6	4414 A6
2442 C5	4415 E1
2443 C7	4416 E1
3402 B11	5401 C9
3403 B11	5402 C9
3404 B11	5403 D9
3405 B11	5405 B2
3406 B11	5406 B2
3407 C11	5407 B2
3408 C11	5408 D1
3409 C11	6401 G12
3412 E6	6402 H12
3413 E6	6403 H12
3414 F6	6404 H12
3415 F6	6405 G13
3416 I10	6406 G13
3418 F10	6407 H13
3419 F9	6408 H13
3420 F9	6410 H13
3422 F6	6411 H13
3423 F6	6412 C2
3424 F6	6413 B4
3425 F6	7402 A11
3426 F6	7404 D11
3427 G6	7405 E7
3428 G6	7406 F1
3429 G6	7407 B13
3430 G6	7408 G2
3431 G6	7409-A F3
3432 G6	7409-B F2
3433 G6	7409-C I3
3434 G6	7409-D I4
3435 G6	7412 I10
3436 G6	7413 B4
3437 G6	7414 C4
3438 G6	7415 D2
3439 G6	7416 E3
3440 H6	7417 E3
3441 H3	7418 C2
3442 H3	7419-1 A6
3443 G3	7419-2 A8
3444 F3	7419-3 D7
3445 H1	7419-4 D6
3446 H1	7420-1 C6
3447 F1	7420-2 B7
3448 F1	F401 G4
3450 B14	F402 F4
3451 B14	F403 I1
3452 C14	F404 I1
3453 G4	F405 B2
3454 F4	F406 B2
3455 F6	F407 B2
3456 E10	F408 B14
3457 E6	F409 I9
3458-A C12	F410 B2
3458-B C12	F411 C1
3458-C C12	
3459-A D12	
3459-B D12	
3459-C D12	
3459-D D12	
3460 G6	
3461 H6	
3462 H6	
3463 D13	
3464 E12	
3465 G3	

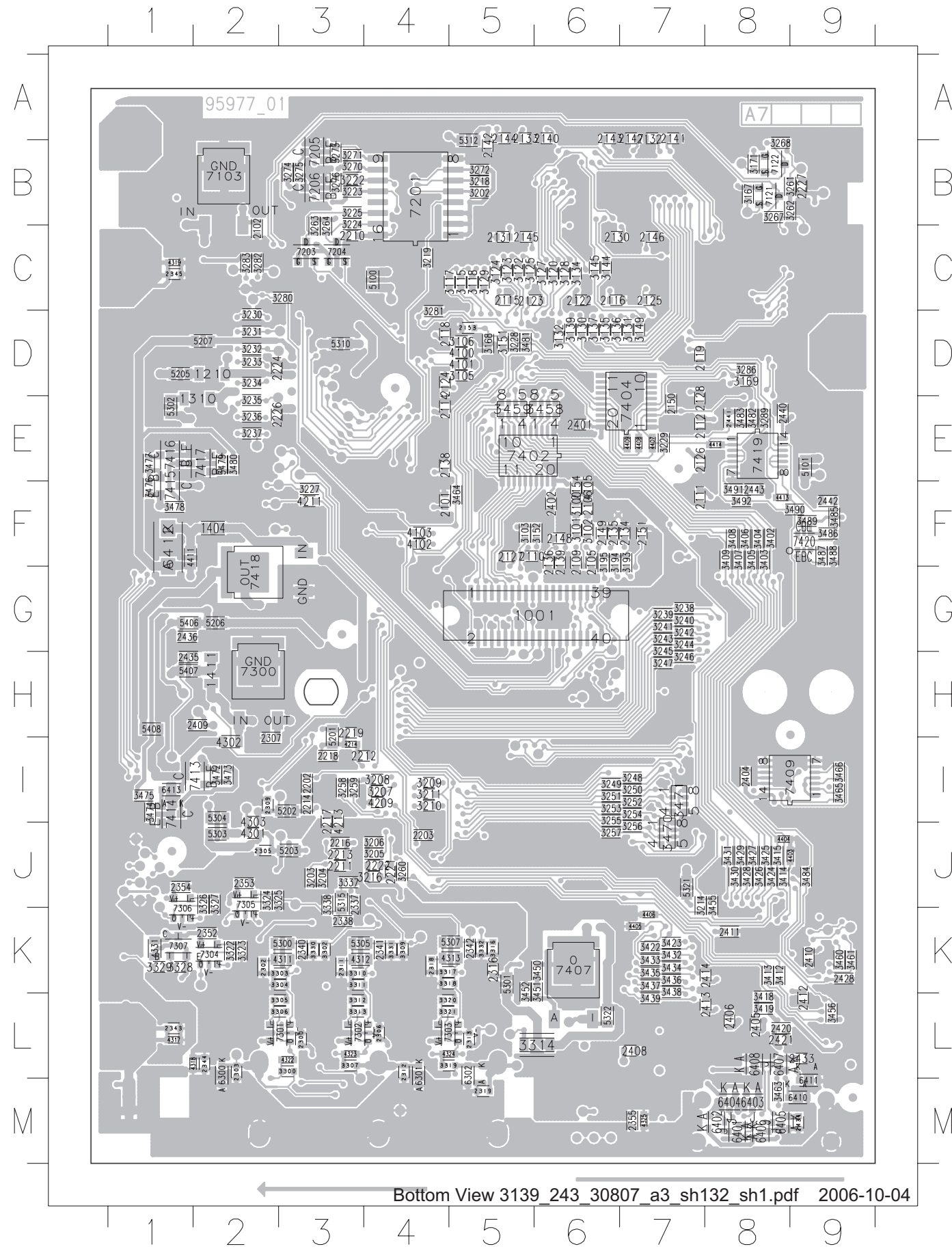
Ref Des	1002	7405	7407	7412	4401	4402	3441	3442	7402	7404	1402	5405	1404	5408	4412	1410	1411	3483	2441	3481	3484	2429	4413	7419	2440	3453	3443	
Variant	7408	7409					3445	3446				5406	5407	4411	7418									3464	3454	3444		
DVDR755	USED	USED	NOT USED	USED	NOT USED	NOT USED	NOT USED	NOT USED	NOT USED	NOT USED	NOT USED	NOT USED	NOT USED	USED	NOT USED	NOT USED	NOT USED	NOT USED	NOT USED	NOT USED	NOT USED	22K	NOT USED	22R	NOT USED	NOT USED	4K7	
YDVS1500	NOT USED	NOT USED	USED	NOT USED	NOT USED	NOT USED	NOT USED	NOT USED	NOT USED	NOT USED	NOT USED	NOT USED	NOT USED	NOT USED	NOT USED	NOT USED	NOT USED	NOT USED	NOT USED	NOT USED	NOT USED	22K	NOT USED	USED	NOT USED	NOT USED	NOT USED	
YDVS2500	USED	USED	NOT USED	NOT USED	NOT USED	NOT USED	NOT USED	NOT USED	NOT USED	NOT USED	NOT USED	NOT USED	NOT USED	NOT USED	NOT USED	NOT USED	NOT USED	NOT USED	NOT USED	NOT USED	NOT USED	22R	NOT USED	USED	NOT USED	0R	10K	
YDVC950	USED	USED	NOT USED	USED	NOT USED	NOT USED	USED	NOT USED	NOT USED	NOT USED	USED	USED	NOT USED	NOT USED	NOT USED	NOT USED	NOT USED	NOT USED	NOT USED	NOT USED	NOT USED	470n	47K	10N	NOT USED	USED	0R	10K

PSCAN HDMI Board Layout - Top View



10	11	12	13	14	15	16	17	18	19	20	21	22	23	24	25	26	27	28	29	30	31	32	33	34	35	36	37	38	39	40	41	42	43	44	45	46	47	48	49	50	51	52	53	54	55	56	57	58	59	60	61	62	63	64	65	66	67	68	69	70	71	72	73	74	75	76	77	78	79	80	81	82	83	84	85	86	87	88	89	90	91	92	93	94	95	96	97	98	99	100
----	----	----	----	----	----	----	----	----	----	----	----	----	----	----	----	----	----	----	----	----	----	----	----	----	----	----	----	----	----	----	----	----	----	----	----	----	----	----	----	----	----	----	----	----	----	----	----	----	----	----	----	----	----	----	----	----	----	----	----	----	----	----	----	----	----	----	----	----	----	----	----	----	----	----	----	----	----	----	----	----	----	----	----	----	----	----	----	----	----	-----

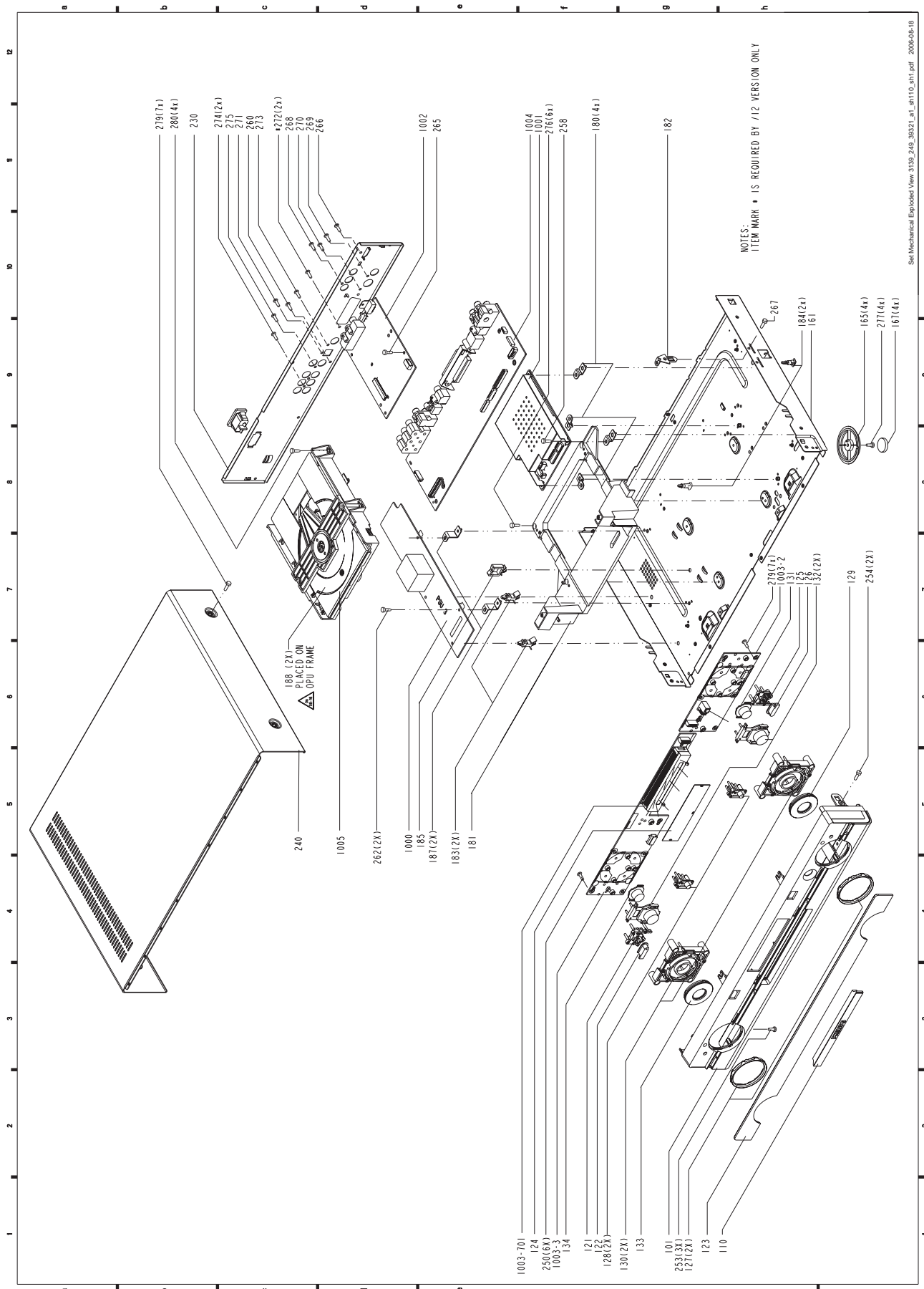
PSCAN HDMI Board Layout - Bottom View



2203 2204
 2210
 2216
 2218
 2219
 2220
 2221
 2222
 2223
 2224
 2225
 2226
 2227
 2228
 2229
 2230
 2231
 2232
 2233
 2234
 2235
 2236
 2237
 2238
 2239
 2240
 2241
 2242
 2243
 2244
 2245
 2246
 2247
 2248
 2249
 2250
 2251
 2252
 2253
 2254
 2255
 2256
 2257
 2258
 2259
 2260
 2261
 2262
 2263
 2264
 2265
 2266
 2267
 2268
 2269
 2270
 2271
 2272
 2273
 2274
 2275
 2276
 2277
 2278
 2279
 2280
 2281
 2282
 2283
 2284
 2285
 2286
 2287
 2288
 2289
 2290
 2291
 2292
 2293
 2294
 2295
 2296
 2297
 2298
 2299
 2300
 2301
 2302
 2303
 2304
 2305
 2306
 2307
 2308
 2309
 2310
 2311
 2312
 2313
 2314
 2315
 2316
 2317
 2318
 2319
 2320
 2321
 2322
 2323
 2324
 2325
 2326
 2327
 2328
 2329
 2330
 2331
 2332
 2333
 2334
 2335
 2336
 2337
 2338
 2339
 2340
 2341
 2342
 2343
 2344
 2345
 2346
 2347
 2348
 2349
 2350
 2351
 2352
 2353
 2354
 2355
 2356
 2357
 2358
 2359
 2360
 2361
 2362
 2363
 2364
 2365
 2366
 2367
 2368
 2369
 2370
 2371
 2372
 2373
 2374
 2375
 2376
 2377
 2378
 2379
 2380
 2381
 2382
 2383
 2384
 2385
 2386
 2387
 2388
 2389
 2390
 2391
 2392
 2393
 2394
 2395
 2396
 2397
 2398
 2399
 2400
 2401
 2402
 2403
 2404
 2405
 2406
 2407
 2408
 2409
 2410
 2411
 2412
 2413
 2414
 2415
 2416
 2417
 2418
 2419
 2420
 2421
 2422
 2423
 2424
 2425
 2426
 2427
 2428
 2429
 2430
 2431
 2432
 2433
 2434
 2435
 2436
 2437
 2438
 2439
 2440
 2441
 2442
 2443
 2444
 2445
 2446
 2447
 2448
 2449
 2450
 2451
 2452
 2453
 2454
 2455
 2456
 2457
 2458
 2459
 2460
 2461
 2462
 2463
 2464
 2465
 2466
 2467
 2468
 2469
 2470
 2471
 2472
 2473
 2474
 2475
 2476
 2477
 2478
 2479
 2480
 2481
 2482
 2483
 2484
 2485
 2486
 2487
 2488
 2489
 2490
 2491
 2492
 2493
 2494
 2495
 2496
 2497
 2498
 2499
 2500

Notes:

8. Exploded View of the Set



Set Mechanical Exploded View 3139_249_39321_at_ah110_ah1.pdf_2008-08-18

Figure 8-1

MECHANICAL & ACCESSORIES PARTS LIST**DVP7400S/93/98**

0110	3139 244 12721		COVER TRAY DVP7400S
P002	3141 079 39841		FRONT CAB. ASSY DVP7400S
P001	3141 079 39831		FRAME ASSY DVP7400S
0341	3139 248 72131		IRT ASSY DVP900SA
0345	2422 070 98257	△	MAINSCORD CHN 2A5 1M5 DET 2P B (/93 only)
0345	2422 070 98151	△	MAINSCORD EUR 1M5 BK B (/98 only)
0347	2422 076 00304		CBLE CINCH/CINCH 1M5 YE/RD/WH
1000	3139 247 13651	△	PSU 03-3A DVP7400S
1001	3139 248 50651		PCBAS SD6.3 DVP7400S/93
1001	3139 248 51361		PCBAS SD6.3 DVP7400S/98
1002	3139 248 50961		PCBAS PSCAN HDMI FOR DVP7400S
1003	3139 248 89401		PCBAS FRONT DVP7400S
1004	3139 248 89431		PCBAS A/V DVP7400S NEU
1005	3139 248 00431		MODULE LOADER FOR DVP7400S
8001	3139 241 01731		CBLE MAINS ASSY 140MM
8101	3139 241 00521		FFC FOIL 09P/140/09P AD 1MMP
8102	3141 070 20741		FFC FOIL 16P/280/16P 1.00 FOLD
8103	3139 241 00421		FFC FOIL 30P/180/30P BD 1MMP
8104	3139 241 02851		FFC FOIL 12P/100/12P AD 1MMP
8105	3139 111 04261		FFC FOIL 30P/220/30P BD 1MMP
8202	3139 111 02581		FFC FOIL 13P/180AD 1.0MMP FOLD
8301	3139 241 02841		FFC FOIL 09P/060/09P BD